

## Plug Type Supervisory Switch

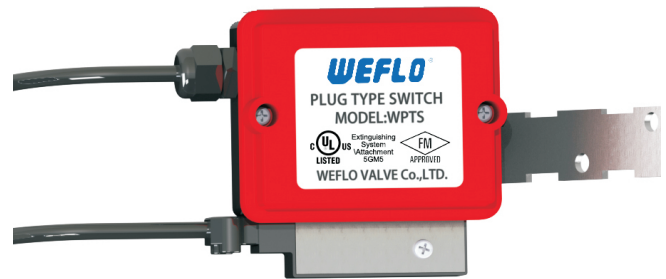
FIG. WPTS

### General

- The Model WPTS is designed to supervise sprinkler system control valves and may also be used to secure gates and other applications. This unit is particularly useful for unusual conditions, such as non-rising stem valves.
- Sealed reed switch operation virtually eliminates contact corrosion.

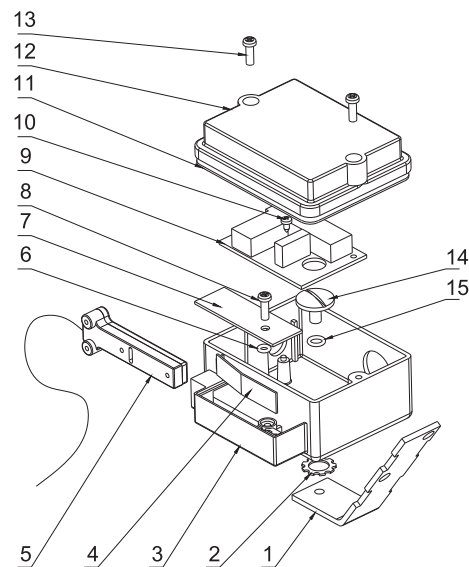
### Features

- **Dimensions:** 18 cm x 10 cm x 7 cm
- **Weight:** 380g
- **Enclosure:** Non-Corrosive Composite Material.
- **Temperature Range:** -40°C to 60°C
- **Housing Cover Tamper:** Activated by housing cover removal.
- **Contact Ratings:** SPDT Plug Contacts: 100 mA @ 28 VDC/AC  
250 mA @ 12 VDC/AC
- **Cable:** 2-wire, 18 Ga. Waterproof - Approx. 8' (2.43m) long.
- Fine adjustment feature for fast, easy installation.
- **UL/ULC Listed, FM Approved**



### Parts

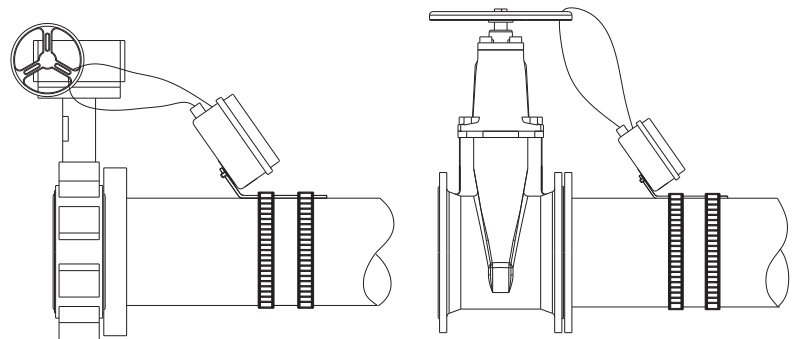
No.	Part Name	Material
1	Bracket	Stainless Steel Type 304
2	Lock Washer	Carbon Steel
3	Housing	PC
4	Spring Damper	Red Copper
5	Plug Assembly	
6	O-Ring	NBR
7	Plug Receptacle Cover	Stainless Steel Type 304
8	Anti-theft Screw	Stainless Steel A2-70
9	Circuit Board	Stainless Steel
10	Bolts	Stainless Steel A2-70
11	Gasket	EPDM
12	Cover	PC
13	Anti-theft Screw	Stainless Steel A2-70
14	Bolt	Stainless Steel A2-70
15	O-Ring	NBR



### Installation

Installation as shown on the right.

- Turning the valve wheel will pull the plug out of the receptacle, then the electrical signal will change.
- The plug cannot be reinserted after operation until the plug receptacle cover is removed with the special hex key provided.
- This key should be left with the building owner or responsible party.
- **Please install according to the instructions.**



#### Note

• **Designs, materials and specifications shown are subject to change without notice due to the continuous development of our products.**