

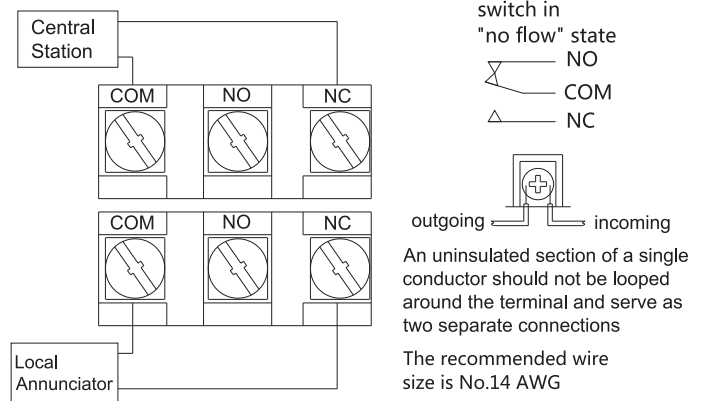
Explosion-Proof Vane-Type Waterflow Detector

FIG. F6001EX

Specifications

- Designed and approved to operate in hazardous locations.
- Two synchronized switches are enclosed outside of explosion environment.
- Terminals are easy to read and wire.
- Built-In mechanical time delay feature; minimizing the risk of false alarms due to pressure surges or air trapped in the system.
- Offers excellent performance during riser vibrations caused by large in-rushes of water.
- Designed and built for accuracy and repeatability.
- Hazardous Atmosphere Classification:
 Class I: Div. 1, Groups C, D T6;
 Class I: Div. 2, Groups C, D T6;
 Class II: Div. 1, Groups E, F, G T6;
 Class II: Div. 2, Groups F, G T6; Class III.
 DNV 22 ATEX 17663X; IECEX DNV 22.0041X; Ex db IIB T6 Gb; Ex tb IIIC T80°C Db Ip66
- Maximum pressure:
 UL/FM: 300 psi
 CE: 16 bar
- Flow sensitivity range
 UL/FM: 4-10 GPM (15-38 LPM) \
- Contact rating
 8A at 250VAC, 2.5A at 30VDC
- Maximum Surge: 18FPS(5.5m/s)
- Entry Size: 1/2"NPT threaded conduit connections
- NEMA 4/IP66 Rated enclosure rating
- Ambient Temperature: 0°C to 49°C

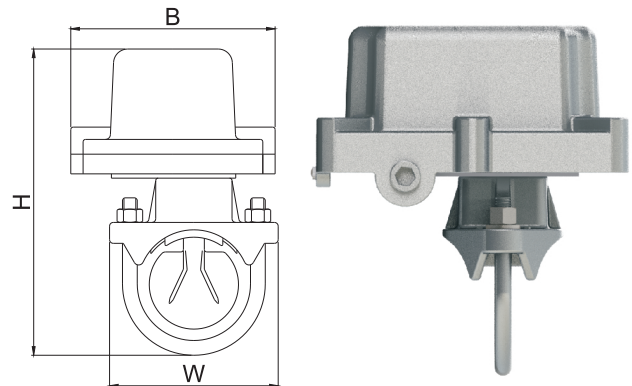
Typical Connections



Main Dimensions (mm / Inch)

Size	2	2.5	3	4	5
W	117 / 4.61	125 / 4.92	137 / 5.39	170 / 6.69	197 / 7.76
H	218 / 8.58	228 / 8.97	248 / 9.76	276 / 10.87	303 / 11.93
B	170 / 6.69	170 / 6.69	170 / 6.69	170 / 6.69	170 / 6.69
Nominal Pipe Size OD.	60.3 / 2.37	73 / 2.87	88.9 / 3.50	114.3 / 4.50	141.3 / 5.56
Pipe Wall Thickness	2.77 - 3.91 / 0.11 - 0.15	3.05 - 5.16 / 0.12 - 0.20	3.05 - 5.49 / 0.12 - 0.22	3.05 - 6.02 / 0.12 - 0.24	3.40 - 6.55 / 0.13 - 0.26

Size	6	8
W	224 / 8.82	277 / 10.91
H	331 / 13.03	383 / 15.08
B	170 / 6.69	170 / 6.69
Nominal Pipe Size OD.	168.3 / 6.63	219.1 / 8.63
Pipe Wall Thickness	3.40 - 7.11 / 0.13 - 0.28	3.76 - 8.18 / 0.15 - 0.32



Note

• Designs, materials and specifications shown are subject to change without notice due to the continuous development of our products.