

Pressure Relief Valve FL x FL Ends

FIG. F1349

Specifications

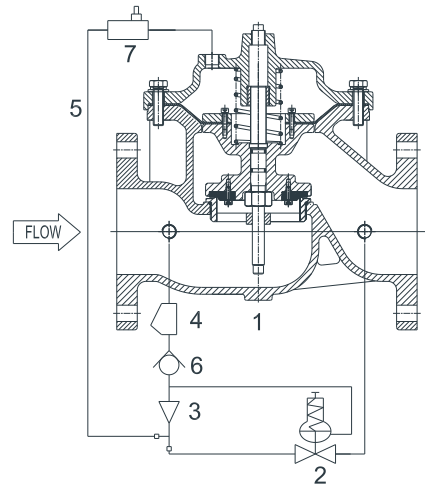
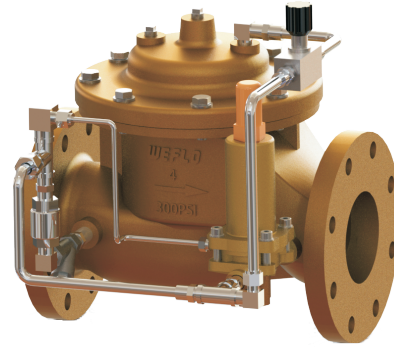
- Relief Valve: Limits inlet pressure by relieving excess pressure.
- Pressure sustaining: Prevents pipe line pressure from rising to a maximum valve.
- Operates over a Wide Flow Range.
- Inlet Pressure Adjustment Range: 65~300psi.
- Quick opening and adjustable closing speed.
- Flanged to EN 1092-3 PN16, ANSI Class150/300.
(Other available on request)
- Rated Working Pressure 300 psi.
- UL 1478 Listed and FM 1361 Approved.

Material Specifications

Part	Material	ASTM Specification
Body	Bronze	B148 C95400
Bonnet	Bronze	B148 C95400
Seat	Stainless Steel	A276 Type 316
Stem	Stainless Steel	A276 Type 316
Spring	Stainless Steel	A276 Type 316
Diaphragm	Nylon Reinforced Natural Rubber/NBR	
Seat Disc	EPDM	
Pressure Relief Pilot	Assembly	

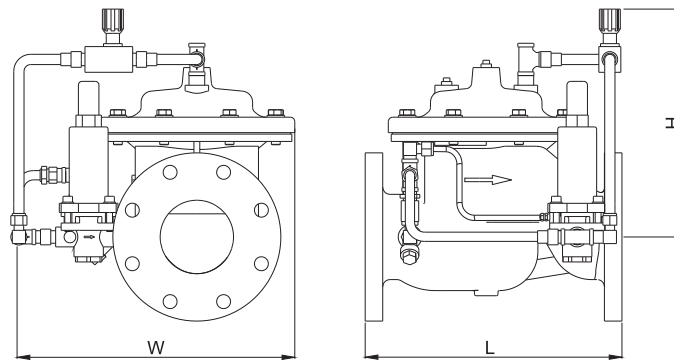
NO.	Components	NO.	Components
1	Basic Control Valve	5	Tubing/Fittings
2	Pressure Relief Pilot	6	Check Valve
3	Ejector	7	Stabilizer
4	Y-Strainer		

Schematic



Main Dimensions (mm /inch)

Size	DN40	DN50	DN65	DN80	DN100	DN125	DN150	DN200	DN250	DN300
L	200/7.87	230/9.05	290/11.42	310/12.2	350/13.78	400/15.75	480/18.9	600/23.6	730/28.75	850/33.46
H	180/7.1	200/7.9	215/8.46	265/10.45	310/12.2	360/14.2	380/15	450/17.75	570/22.45	690/27.2
W	410/16.2	420/16.6	440/17.35	455/18	470/18.5	490/19.3	540/21.25	590/23.23	640/25.2	690/27.2



Notes

- 1.5" to 8" valves are UL listed.
- 1.5" to 12" valves are FM approved.
- Designs, materials and specifications shown are subject to change without notice due to the continuous development of our products.