

Angle Fire Pump Relief Valve Gr x Gr Ends

FIG. F1339

Specifications

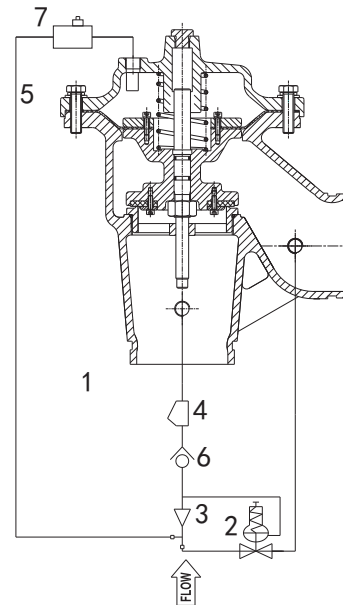
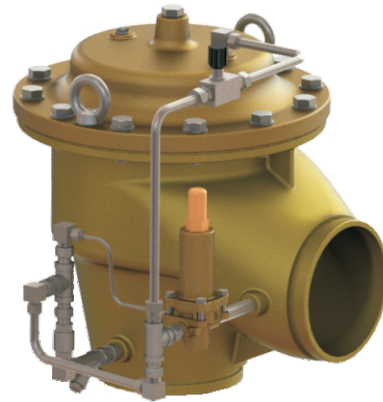
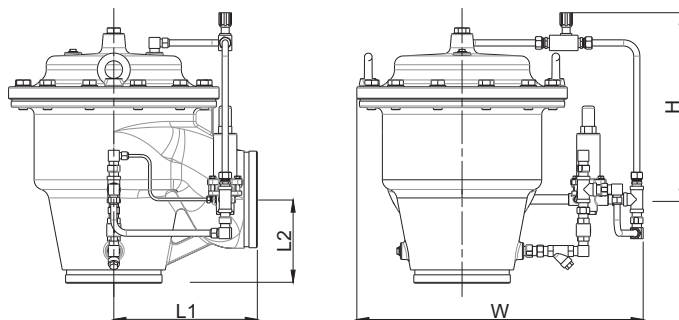
- Grooved Ends to AWWA C606 Standard.
- Opens quickly; maintains pressure within close limits.
- Wide range adjustable: 65psi - 300psi (4.5 bar - 21 bar).
- Pilot operated main valve.
- Reduced cavitation design.
- Simple field adjustable pressure setting, requiring no special tools or system down time.
- Closes gradually for surge-free operation.
- UL 1478 Listed and FM 1361 Approved.
- Limits maximum pump discharge pressure.
- Factory tested & preset to requirements.
- Applicable for water, sea water & foam.
- 300psi (21 bar) high Working Pressure
600psi (42bar) Hydrostatic Test

Material Specifications

Main Valve Parts	Material	ASTM Specification
Body	Bronze	B148 C95400
Seat	Stainless Steel	A276 Type 316
Seal Disc	Rubber	D2000 EPDM
Diaphragm	Nylon Reinforced Natural Rubber	
Diaphragm Disc	Stainless Steel	A351 Grade CF8M
Diaphragm Adapter	Stainless Steel	A351 Grade CF8M
Spring	Stainless Steel	A276 Type
Bonnet	Bronze	B148 C95400
Bonnet Bolts	Stainless Steel	A276 Type 316
Stem	Stainless Steel	A276 Type 316
O-Ring	Rubber	EPDM

No.	Trim Components	Material
1	Basic Control Valve Assembly	Stainless Steel 316
2	Pressure Relief Pilot Assembly	Stainless Steel 316
3	Ejector	Stainless Steel 316
4	Y-strainer	Stainless Steel 316
5	Tubing/Fittings	Stainless Steel 316
6	Check Valve	Stainless Steel 316
7	Stabilizer	Stainless Steel 316

Main Dimensions (mm / inch)



Size	L1	L2	H	W
3"	149/5.9	110/4.3	265/10.5	455/18.0
4"	185/7.3	130/5.1	310/12.2	470/18.5
5"	218/8.6	140/5.5	360/14.2	490/19.3
6"	265/10.4	155/6.1	380/15.0	540/21.3
8"	326/12.8	190/7.5	450/17.8	590/23.2

Notes

• Designs, materials and specifications shown are subject to change without notice due to the continuous development of our products.