

Waste Cone

FIG. 8103

Specifications

- Available for Onshore and Offshore Applications.
- Manufactured in Accordance with NFPA 20 Requirements.
- Designed for use with UL/FM Approved Fire Pump Pressure Relief Valves.
- Flanges to ANSI Class 150/300, Other available on request.
- Ductile Iron-ASTM A536-65.
- (2) 2" 316 SS Sight Glasses per Waste Cone.
- Single Body Casting(No Welding).

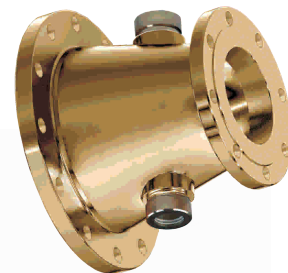
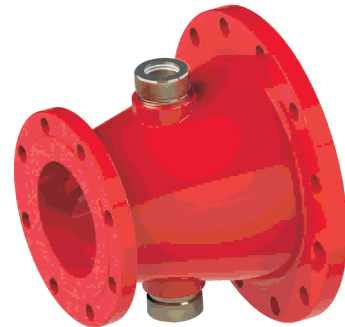
Corrosion Protection

- Fusion Bonded Red Epoxy Coated Interior and Exterior .

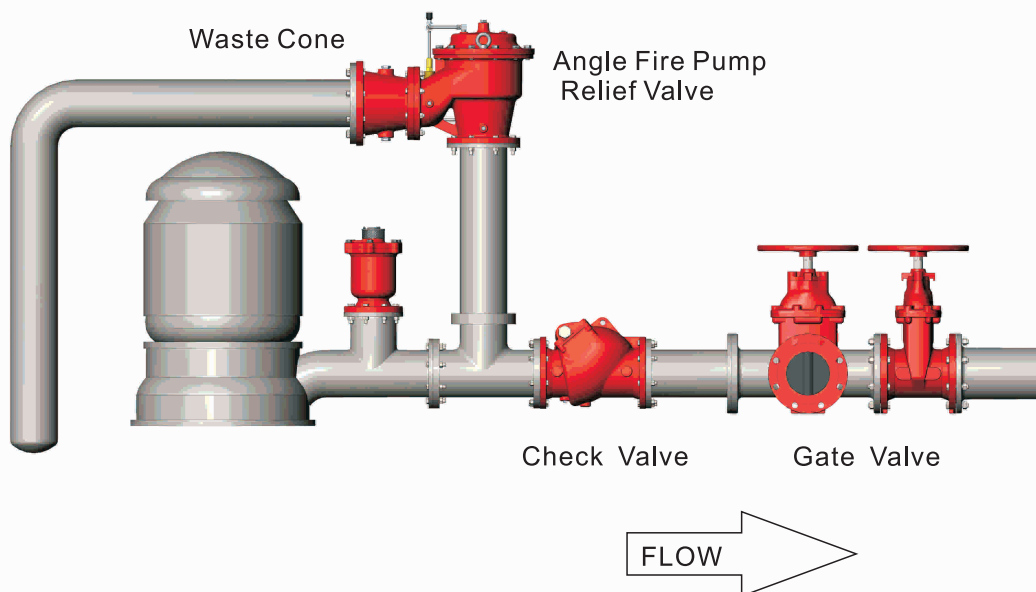
Options

- Nickel Aluminum Bronze(NAB) -ASTM B148 Alloy C95800.
- Monel -QQ-N-288 Comp B-ASTM A494 Grade M30H.
- Cast Steel-ASTM A216 Grade WCB.
- 316 Stainless Steel -ASTM A351 Grades CF3M and CF8M.
- Super Duplex Stainless Steel-ASTM A890 Grade 5A(CE3MN).

Schematic



Product application scenario



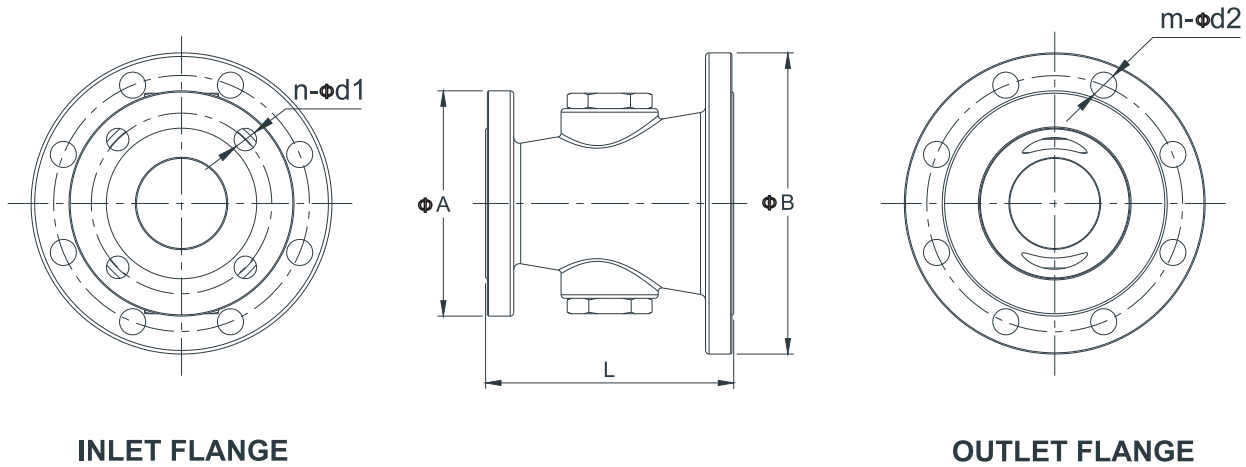
Notes

- **Designs, materials and specifications shown are subject to change without notice due to the continuous development of our products.**

Waste Cone

FIG. 8103

Main Dimensions (inch)



INLET FLANGE

OUTLET FLANGE

SIZE INLET X OUTLET	PUMP GPM	PRESSURE CLASS	L	ΦA	ΦB	Φd1	Φd2	NUMBER OF HOLES (INLET)n	DIAMETER OF BOLTS (INLET)	NUMBER OF HOLES (OUTLET)m	DIAMETER OF BOLTS (OUTLET)
3" X 5"	0-450	150LB	8.25	7.50	10.00	0.750	0.875	4	0.625	8	0.750
		300LB	9.24	8.25	11.00	0.875	0.875	8	0.750	8	0.750
3" X 6"	450-500	150LB	9.00	7.50	11.00	0.750	0.875	4	0.625	8	0.750
		300LB	9.69	8.25	12.50	0.875	0.875	8	0.750	12	0.750
4" X 6"	500-750	150LB	9.00	9.00	11.00	0.750	0.875	8	0.625	8	0.750
		300LB	9.75	10.00	12.50	0.875	0.875	8	0.750	12	0.750
4" X 8"	750-1000	150LB	10.25	9.00	13.50	0.750	0.875	8	0.625	8	0.750
		300LB	11.06	10.00	15.00	0.875	1.000	8	0.750	12	0.875
6" X 8"	1000-1500	150LB	10.25	11.00	13.50	0.875	0.875	8	0.750	8	0.750
		300LB	11.19	12.50	15.00	0.875	1.000	12	0.750	12	0.875
6" X 10"	1500-2500	150LB	11.50	11.00	16.00	0.875	1.000	8	0.750	12	0.875
		300LB	12.63	12.50	17.50	0.875	1.125	12	0.750	16	1.000
8" X 12"	2500-3500	150LB	13.00	13.50	19.00	0.875	1.000	8	0.750	12	0.875
		300LB	14.25	15.00	20.50	1.000	1.125	12	0.875	16	1.125
8" X 14"	3500-5000	150LB	14.00	13.50	21.00	0.875	1.125	8	0.750	12	1.000
		300LB	15.25	15.00	23.00	1.000	1.250	12	0.875	20	1.125

Notes

• Designs, materials and specifications shown are subject to change without notice due to the continuous development of our products.