

**WEFLO**®

PRODUCT  
LINE AND  
CAPABILITIES

STATE OF THE ART TECHNOLOGY

# WEFLO®

## WORLDWIDE PRODUCT LINE – ALL TYPES AND SIZES

### WEFLO®



THE STATE OF THE ART



# AUTOMATED FOUNDRY

- **Electric Induction Furnaces**
- **Automated Pouring Lines**
- **Automated Molding Lines**
- **Environmentally Friendly**
- **400% Increase in Capacity**



# WEFLO®



## MACHINING CENTERS

- CNC Machining Centers for New Foundry Patterns



## NEW RUBBER MOLDING & PRODUCTION LINE

- EPDM ENCAPSULATED DISCS
- RUBBER LINING FOR BUTTERFLY VALVES
- RUBBER DISC SEALING – CHECK VALVES
- SPECIALTY COMPOUNDS AVAILABLE





# FUSION BONDED EPOXY COATING SYSTEMS





## FBE CAPABILITIES

- **RAL 3000 SAFETY RED – NSF 61 CERTIFIED**
- **RAL 5015 BLUE – NSF 61 CERTIFIED**
- **SPECIAL FUSION BONDED EPOXY COATING AND POLYESTER TOP COAT FOR SEA WATER**
- **CERTIFIED TO ISO 12944-6-17 FOR C5-H HAZARDOUS MARINE ENVIRONMENT**





# TEST LABORATORY

- CERTIFIED TO ISO 17025 STANDARD
- UNDERWRITERS LABORATORIES CERTIFIED AS WITNESS TEST DATA PROGRAM







# UNDERWRITERS LABORATORIES TEST LAB



- MATERIAL TEST REPORTS

### MATERIAL TEST CERTIFICATE

Customer:	\	Order No.:	\	Date:	\
Invoice No.:	\	Test No.:	\	Page:	1/1

Item No.	Q'ty (PCS)	Description	Class	Size	Material		Hydrostatic Test According to UL246		Result
					Standpipe Upper/ Standpipe Lower/Elbow	Bonnet	Body	Seat	
1	1	F0733-250 FMUL:DI Standpipe Upper & Standpipe Lower Fire Hydrant	250PSI	3'-6"	ASTM A536 65-45-12	ASTM A126-B	34.5bar	34.5bar	OK

Item No.	Order No.:	Part Name	Heat No.	Chemical Composition (%)										Mechanical Properties				
				C	Si	Mn	P	S	Cr	Ni	Mo	Cu	V	Tensile Strength (Mpa)	Yield Point (Mpa)	Elongation n%	HB	
1	\	Standpipe Upper	20180422	3.68	2.65	0.16	0.039	0.008	N/A	N/A	N/A	N/A	N/A	N/A	500	400	14.0	N/A
		Standpipe Lower	M20180106	3.72	2.74	0.21	0.019	0.017	N/A	N/A	N/A	N/A	N/A	N/A	550	440	15.0	N/A
		Elbow	T20170501	3.72	2.67	0.21	0.038	0.009	N/A	N/A	N/A	N/A	N/A	N/A	511	465	14.0	N/A
		Bonnet	20170708	3.09	1.67	0.908	0.057	0.041	N/A	N/A	N/A	N/A	N/A	N/A	270	N/A	N/A	N/A

We hereby certify that items mentioned above have been tested and inspected in our presence and are found to be in accordance with the drawings, specification and satisfy the requirements. The guarantee period shall be 12 months from the date of the delivery, for any manufacturing defects.

Validated by quality manager *Wang Zhaojian*

## MANAGEMENT SYSTEM CERTIFICATE

Certificate No: 1132-2004-AQ-RGC-RvA Initial certification date: 23 December, 2003 Valid: 23 December, 2018 - 23 December, 2021

This is to certify that the management system of

### Weflo Valve Co., Ltd.

Intersection of Huadong Road, and Chunyang Road, Qingdao National High-tech Industrial Development Zone, China, 266111 and the sites as mentioned in the appendix accompanying this certificate

has been found to conform to the Quality Management System standard:  
**ISO 9001:2015/GB/T 19001-2016**

This certificate is valid for the following scope:

**Design, Casting, Processing and Manufacture of Fluid Flow Valves and Pipe Fittings**

Place and date:  
Shanghai, 13 December, 2018



The RvA is a signatory to the IAF MLA

For the issuing office:  
DNV GL - Business Assurance  
Suite A, Building 9, No.1591 Hongqiao Road, Changning District, Shanghai 200336, P.R. China  
TEL: +86 21 32799000



Zhu Hai Ming  
Management Representative



# CRATING AND PACKAGING

Improved Packaging for Indicator Posts



Packaging for Fire Hydrants





## SPECIAL PACKAGING AVAILABLE

**Sea Water Protection**



**OS&Y With Supervisory Switch**



**WEFLO<sup>®</sup>**

**UL / FM PRODUCTS**



**WEFLO<sup>®</sup>**



**c**  **US**  
**LISTED**



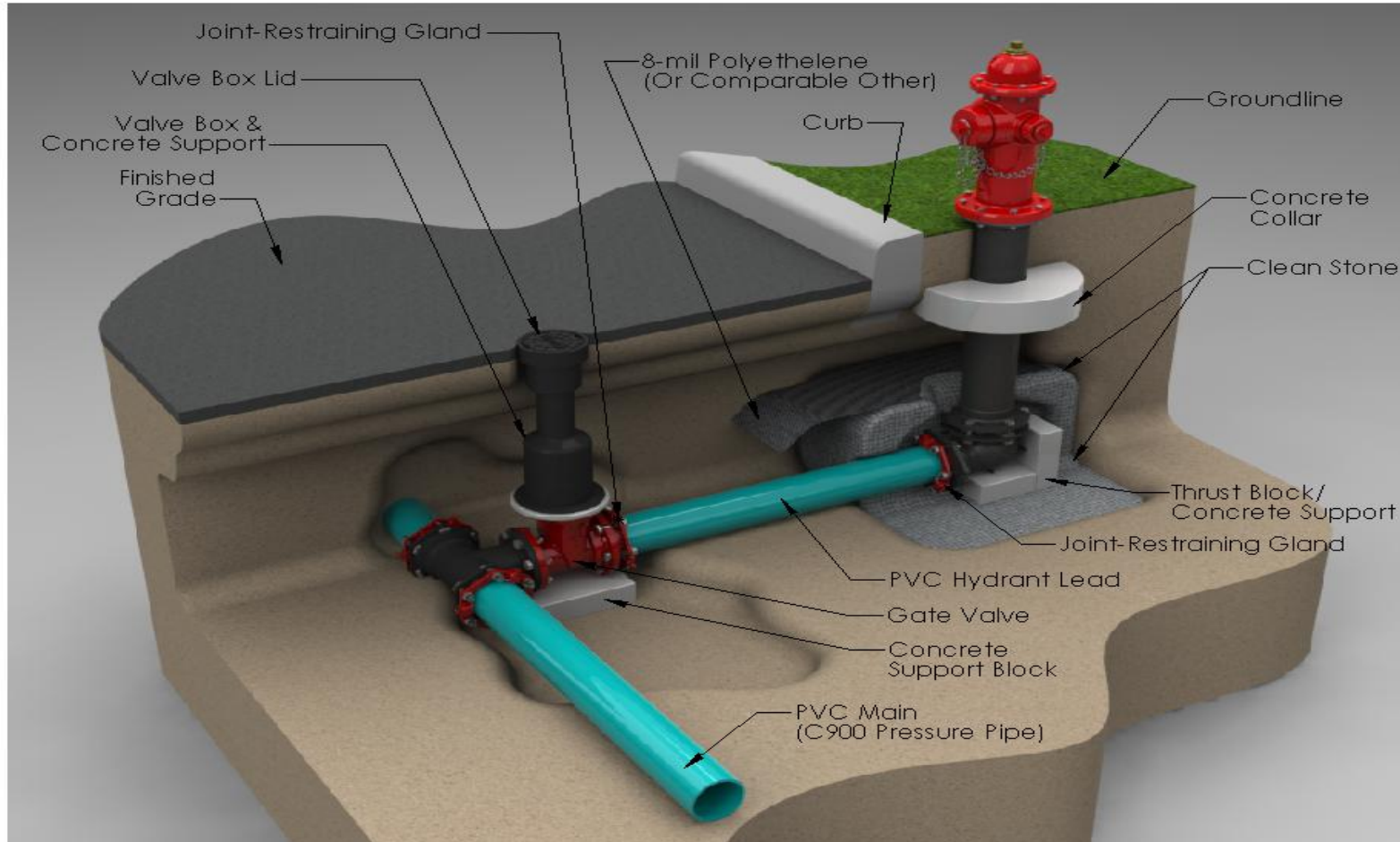
  
**APPROVED**

**UL / FM / AWWA FIRE HYDRANTS**

---



# UL / FM / AWWA DRY BARREL FIRE HYDANTS

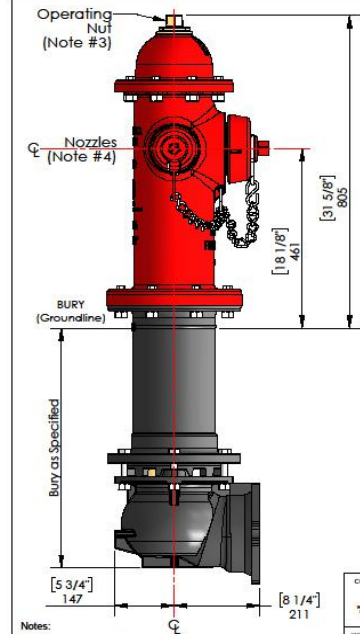
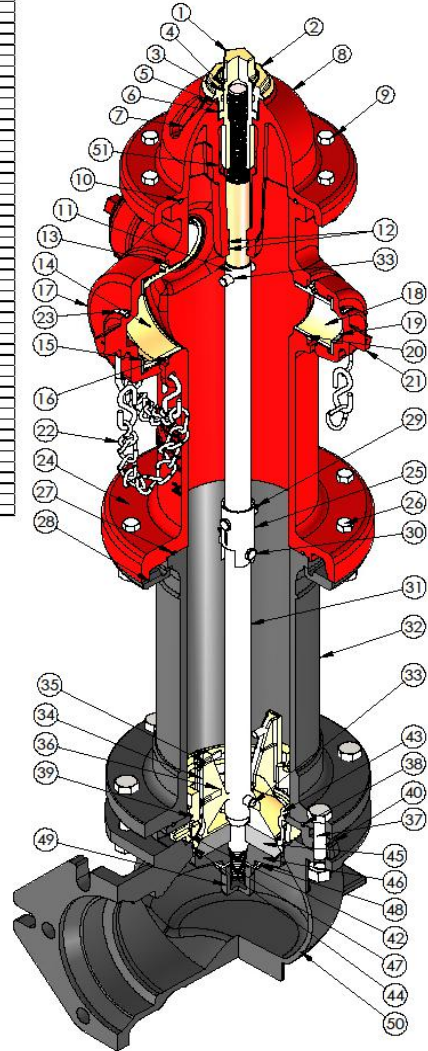




F0733-250

- AVAILABLE WITH FLANGED OR MECHANICAL JOINT CONNECTION
- ALL BURY DEPTHS AVAILABLE
- UL LISTED / FM APPROVED
- MANUFACTURED TO AWWA C502 STANDARD
- FUSION BONDED EPOXY COATED BASE, POLYURETHANE ENAMEL COATED UPPER BARREL

Item No.	Description	Material	Specification	Qty.	Rechts
1	Operating Nut	Bronze	ASTM B62 C83600	1	
2	Head Down Nut	Bronze	ASTM B534	1	
3	Head Down Nut O-Ring	Rubber	ASTM D2000, BUNA N	1	
4	Weather Seal	Rubber	ASTM D2000, BUNA N	1	
5	Bonnet O-Ring	Rubber	ASTM D2000, BUNA N	1	
6	Anti-Friction Washer	Carbon	Carbon	1	
7	Oil Plug	Bronze	ASTM B16 C36000	1	
8	Bonnet	Cast Iron	ASTM A126, CL-B	1	
9	Bonnet Bolts & Nuts	Steel	SP5, A307	8	
10	Bonnet O-Ring	Rubber	ASTM D2000, BUNA N	1	
11	Upper Rod	Steel	ASTM A576, G-B	1	
12	Upper Rod O-Ring	Rubber	ASTM D2000, BUNA N	2	
13	Nozzle Lock Key	Steel	ASTM A276	4	
14	Pumper Nozzle	Bronze	ASTM B62 C83600	1	
15	Pumper Nozzle Gasket	Rubber	ASTM D2000, BUNA N	1	
16	Pumper Nozzle O-Ring	Rubber	ASTM D2000, BUNA N	1	
17	Pumper Nozzle Cap	Cast Iron	ASTM A126, CL-B	1	
18	Head Nozzle	Bronze	ASTM B62 C83600	1	
19	Hose Nozzle Gasket	Rubber	ASTM D2000, BUNA N	2	
20	Hose Nozzle O-Ring	Rubber	ASTM D2000, BUNA N	2	
21	Hose Nozzle Cap	Cast Iron	ASTM A126, CL-B	2	
22	Cap Chain	Steel	Zinc Plated	3	
23	Chain Ring	Steel	Zinc Plated	3	
24	Standpipe Upper	Ductile Iron	ASTM A536 65-45-12	1	
25	Safety Coupling	Steel	ASTM A536	1	
26	Safety Flange Bolts & Nuts	Steel	SP5, A307	8	
27	Safety Flange O-Ring	Rubber	ASTM D2000, BUNA N	1	
28	Safety Pin	Cast Iron	ASTM A126, CL-B	2	
29	Cotter Pin	Stn. Sl.	ASTM A276	2	
30	Gleason	Stn. Sl.	ASTM A276	2	
31	Lower Pin	Steel	ASTM A276 G-B	1	
32	Standpipe Lower (Specify Bury)	Ductile Iron	ASTM A536 65-45-12	1	
33	Stem Pin	Stn. Sl.	ASTM A276	2	
34	Drain Valve Facing	Hardie		2	
35	Drain Valve Screw	Stn. Sl.	ASTM A276	4	
36	Valve Top Plate	Bronze	ASTM B534	1	
37	Elbow & D.P.N. Bolts & Nuts	Steel	SP5, A307	6	
38	Drain Ring Housing O-Ring	Rubber	ASTM D2000, BUNA N	1	
39	Best Ring O-Ring (Top)	Rubber	ASTM D2000, BUNA N	1	
40	Drain Ring Housing	Ductile Iron	ASTM A126, CL-B	1	
41	Drain Ring	Bronze	ASTM B534	1	
42	Seal Ring	Bronze	ASTM B534	1	
43	Seal Ring O-Ring (Bottom)	Rubber	ASTM D2000, BUNA N	1	
44	Main Valve	Rubber	ASTM D2000, BUNA N	1	
45	Valve Bottom Plate	Ductile Iron	ASTM A536 65-45-12	1	
46	Cap Nut Seal	Rubber	ASTM D2000, BUNA N	1	
47	Lock Washer	Stn. Sl.	ASTM A276	1	
48	Valve Bottom Plate Nut	Ductile Iron	ASTM B534	1	
49	Elbow	Ductile Iron	ASTM A536 65-45-12	1	
50	Lubricant (in Chamber)	Mineral Oil	Food Grade	1	



Notes:  
 1) Design and materials are able to change without prior verbal or written notification.  
 2) Pentagon measures 1 1/2" from point to flat at the base of the nut and 1 7/16" at the top; the min. height of the nut is 1".  
 3) Certain parts are Fusion Bonded Epoxy coated, inside and out, in accordance with AWWA C502 (#s 40, 46, 48 & 50).  
 4) Monitor Outlet, Storz, and other nozzles also available.

CONFIDENTIAL & PROPRIETARY INFORMATION				WEFLO®		NAME	DATE
UNLESS OTHERWISE SPECIFIED MATERIALS SHALL BE AS SHOWN IN THIS DRAWING				TITLE: WEFLO Dry Barrel Fire Hydrant (5 1/4") AWWA C502 (Ductile Iron)		BCM	6/2/17
WEFLO®				DWG. NO.		REVISION	
AF00001				A		A	
SCALE: NONE - UNLESS NOTED				SHEET 1 OF 1			





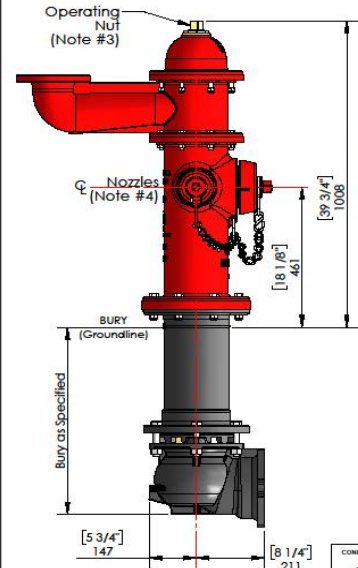
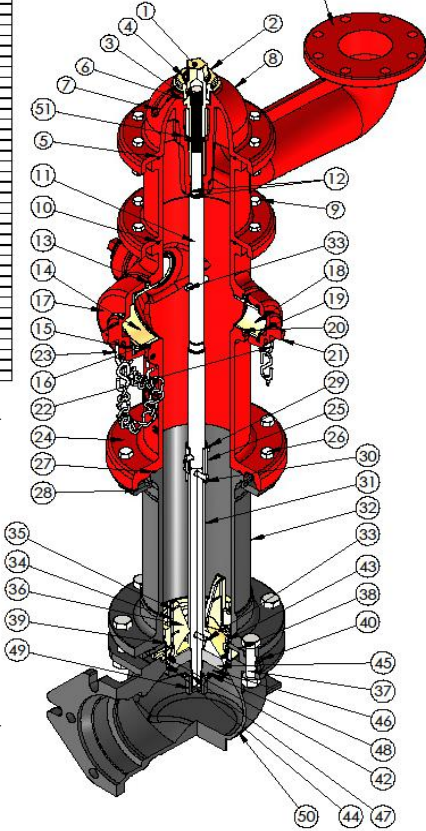


F0733-250-M

- FF OR RF FLANGE AVAILABLE
- UL / FM WITH MONITOR ELBOW
- AVAILABLE WITH STORZ NOZZLE
- MANY DIFFERENT NOZZLE CONFIGURATIONS UL / FM

Item No.	Description	Material	Specification	Qty.	Repts
1	Operating Nut	Bronze	ASTM B584	1	
2	Hold Down Nut	Bronze	ASTM B584	1	
3	Hold Down Nut O-Ring	Rubber	ASTM D2000, BUNA N	1	
4	Weather Seal	Rubber	ASTM D2000, BUNA N	1	
5	Bonnet O-Ring	Rubber	ASTM D2000, BUNA N	1	
6	Anti-friction Washer	Copper		1	
7	Oil Plug	Bronze	ASTM B16	1	
8	Bonnet	Cast Iron	ASTM A126, CL-B	1	
9	Bonnet Bolts & Nuts	Steel	SF5, A307	8	
10	Bonnet O-Ring	Rubber	ASTM D2000, BUNA N	1	
11	Upper Rod	Steel	ASTM A576, Gr-B	1	
12	Lower Rod O-Ring	Rubber	ASTM D2000, BUNA N	2	
13	Nozzle Lock Key	Stn. Stl.	ASTM A276	6	
14	Pumper Nozzle	Bronze	ASTM B584	1	
15	Pumper Nozzle Gasket	Rubber	ASTM D2000, BUNA N	1	
16	Pumper Nozzle O-Ring	Rubber	ASTM D2000, BUNA N	1	
17	Pumper Nozzle Cap	Cast Iron	ASTM A126, CL-B	1	
18	Hose Nozzle	Bronze	ASTM B584	2	
19	Hose Nozzle Gasket	Rubber	ASTM D2000, BUNA N	2	
20	Hose Nozzle O-Ring	Rubber	ASTM D2000, BUNA N	2	
21	Hose Nozzle Cap	Cast Iron	ASTM A126, CL-B	2	
22	Cap Chain	Steel	Plated	3	
23	Open Ring	Steel	Plated	3	
24	Standoff Upper	Ductile Iron	ASTM A126, CL-B	1	
25	Safety Coupling	Stn. Stl.	ASTM A580	1	
26	Safety Flange Bolts & Nuts	Steel	SF5, A307	6	
27	Safety Flange O-Ring	Rubber	ASTM D2000, BUNA N	1	
28	Safety Flange	Cast Iron	ASTM A126, CL-B	2	
29	Collar Pin	Stn. Stl.	ASTM A276	2	
30	Clear Pin	Stn. Stl.	ASTM A276	2	
31	Lower Rod	Steel	ASTM A576, Gr-B	1	
32	Standoff Lower (Electrically Bury)	Ductile Iron	ASTM A126, CL-B	1	
33	Stem Pin	Stn. Stl.	ASTM A276	2	
34	Drain Valve Facing	HDPE		2	
35	Open Valve	Stn. Stl.	ASTM A276	2	
36	Valve Top Plate	Bronze	ASTM B584	1	
37	Elbow & D.R.H. Bolts & Nuts	Stn. Stl.	B5304	6	
38	Stem Ring Housing O-Ring	Rubber	ASTM D2000, BUNA N	1	
39	Stem Ring O-Ring (Top)	Rubber	ASTM D2000, BUNA N	1	
40	Drain Ring Housing	Ductile Iron	ASTM A126, CL-B	1	
41	Drain Ring	Bronze	ASTM B584	1	
42	Stem Ring	Bronze	ASTM B584	1	
43	Stem Ring O-Ring (Bottom)	Rubber	ASTM D2000, BUNA N	1	
44	Main Valve	Rubber	ASTM D2000, BUNA N	1	
45	Valve Bottom Plate	Ductile Iron	ASTM A126, CL-B	1	
46	Cap Nut Seal	Rubber	ASTM D2000, BUNA N	1	
47	Lock Washer	Stn. Stl.	ASTM A276	1	
48	Valve Bottom Plate Nut	Ductile Iron	ASTM A126, CL-B	1	
49	Elbow	Ductile Iron	ASTM A126, CL-B	1	
50	Elbow	Ductile Iron	ASTM A126, CL-B	1	
51	Lubricant Chamber	Mineral Oil		1	

Monitor Connection Available in 2.5", 3" and 4" Configurations (ANSI B16.1 Class 125/150 (4" Monitor Connection Shown))



Notes:  
 1) Design and materials are able to change without prior verbal or written notification.  
 2) Pentagon measures 1 1/2\"/>

CONFIDENTIAL & PROPRIETARY INFORMATION		<b>WEFLO</b>		NAME	DATE
UNLESS OTHERWISE SPECIFIED DIMENSIONS ARE IN INCHES		TITLE: WEFLO Dry Barrel Fire Hydrant (5 1/4\"/>			
REVISION	DESCRIPTION	DATE	BY	DWG. NO.	REVISION
A	INITIAL ISSUE	5/29/17	BM	AF00003	A
SCALE: NONE - UNLESS NOTED					SHEET 1 OF 1





# F0733-250 UL / FM / AWWA FIRE HYDRANTS



# WEFLO<sup>®</sup>

UL / FM / AWWA  
WET BARREL FIRE HYDRANTS



- Various Nozzle Configurations
- Monitor Style Available
- Safety Red or Yellow
- Fusion Bonded Epoxy Coated Int. & Ext.





# UL / FM / AWWA FIRE HYDRANTS

- AVAILABLE WITH INTEGRAL STORZ NOZZLES



**WEFLO<sup>®</sup>**

**c** **UL<sup>®</sup>** **US**  
**LISTED**

**FM**  
**APPROVED**

  
**American  
Water Works  
Association**

**WORK IN PROCESS**





## UL / FM GATE VALVES

- 2" – 24" SIZES
- OS&Y
- PIV
- NRS
- FLANGED
- GROOVED
- MECHANICAL JOINT



**WEFLO<sup>®</sup>**

## OS&Y GATE VALVES

2"-24" UL / FM

NSF-61 CERTIFIED

HEAVY DUTY  
CONSTRUCTION

ALL END TYPES  
AVAILABLE



# WEFLO®

## F0111 / F1111



Dimensions									
Size	2"	2.5"	3"	4"	5"	6"	8"	10"	12"
L	7"	7-1/2"	8"	9"	10"	10-1/2"	11-1/2"	13"	14"
H <sub>Open</sub>	15"	16-5/8"	18-3/8"	21-5/8"	25-1/2"	28-1/8"	33-5/8"	44-1/2"	52"
H <sub>Close</sub>	15"	13-3/4"	15-3/4"	17-3/4"	20-7/8"	23-1/4"	28-3/4"	34-3/4"	40-1/4"
D	7-1/4"	7-1/4"	10"	10"	12"	12"	14"	17-1/2"	17-1/2"

No.	Description	Material Specifications
1	Body	Ductile Iron, ASTM A536 65-45-12
2	Wedge	Ductile Iron, EPDM Encapsulated
3	Wedge Nut	Stainless Steel, AISI 304
4	Pin	Stainless Steel, AISI 420
5	O-Ring	EPDM
6	Casket	EPDM
7	Stem	Stainless Steel, AISI 304
8	Bonnet	Ductile Iron, ASTM A536 65-45-12
9	Packing	Graphite
10	Gland	Ductile Iron, ASTM A536 65-45-12
11	Yoke Nut	Bronze, ASTM C95200
12	Washer	Brass
13	Handwheel	Ductile Iron, ASTM A536 65-45-12
14	Handwheel Nut	Ductile Iron, ASTM A536 65-45-12
15	Bolts	Stainless Steel, A2-70
16	Nuts	Stainless Steel, A4-70
17	Washers	Stainless Steel, AISI 304
18	Bonnet Bolts	Carbon Steel Gr8.8, Zinc Plated
19	Plug	Malleable Iron

OS&Y Resilient Seated Gate Valve 2.5" to 12", Flanged Ends F0111-300

**WEFLO VALVE LLC**

E-mail: [info@weflovalve.com](mailto:info@weflovalve.com)

Website: [www.weflo.com](http://www.weflo.com) / [www.weflovalve.com](http://www.weflovalve.com)





**WEFLO<sup>®</sup>**

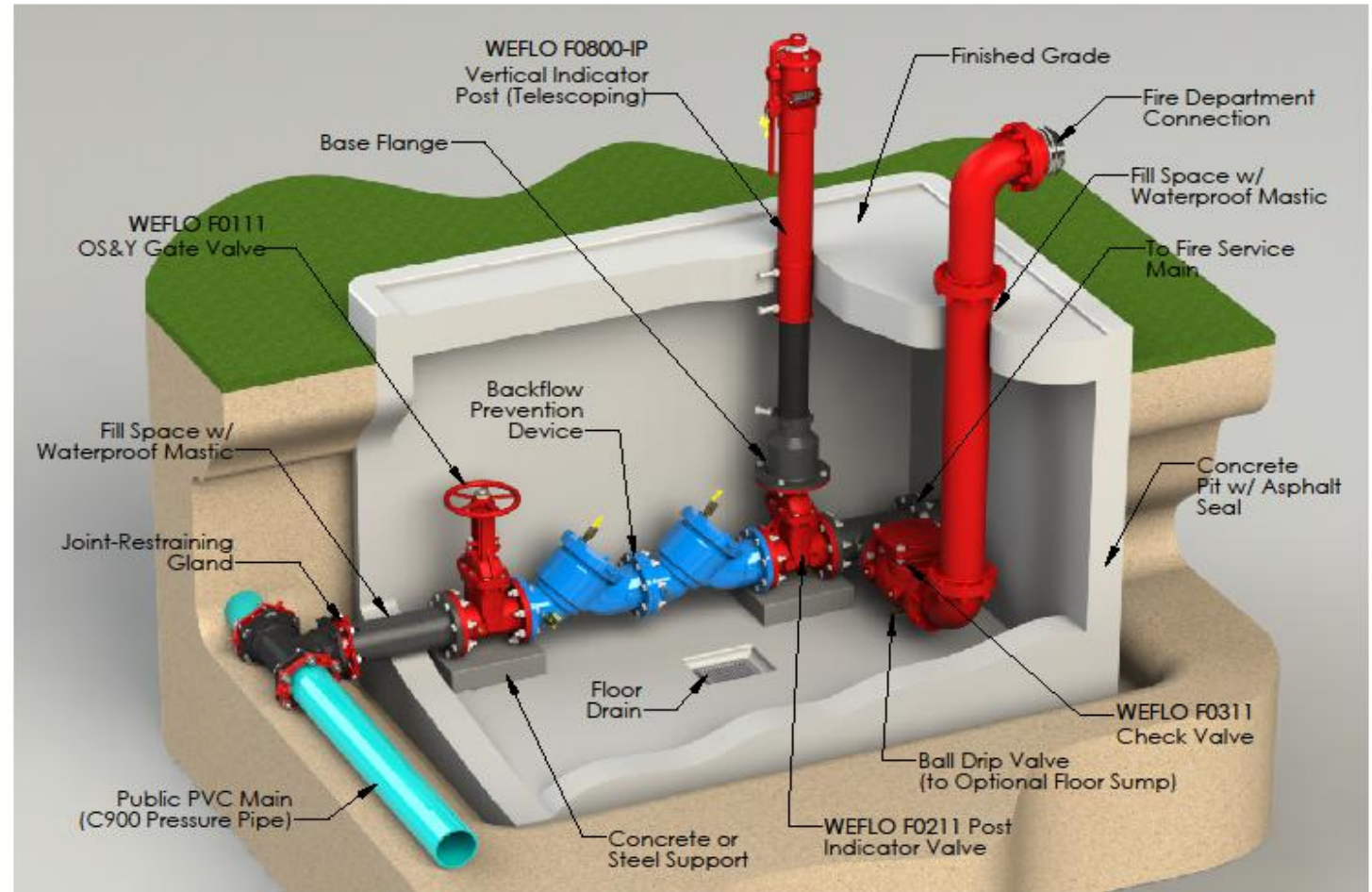
## POST INDICATOR VALVES

- 4"-24" UL / FM / AWWA
- REMOVABLE POST PLATE DESIGN AVAILABLE
- ALL END CONFIGURATIONS
- NSF-61 / NSF-372 CERTIFIED



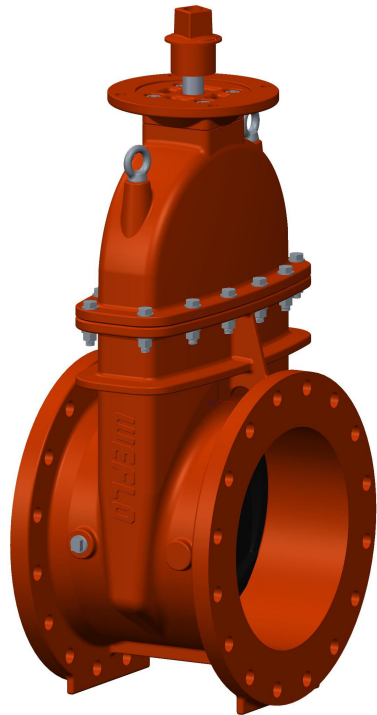


# POST INDICATOR VALVE INSTALLATION



# WEFLO®

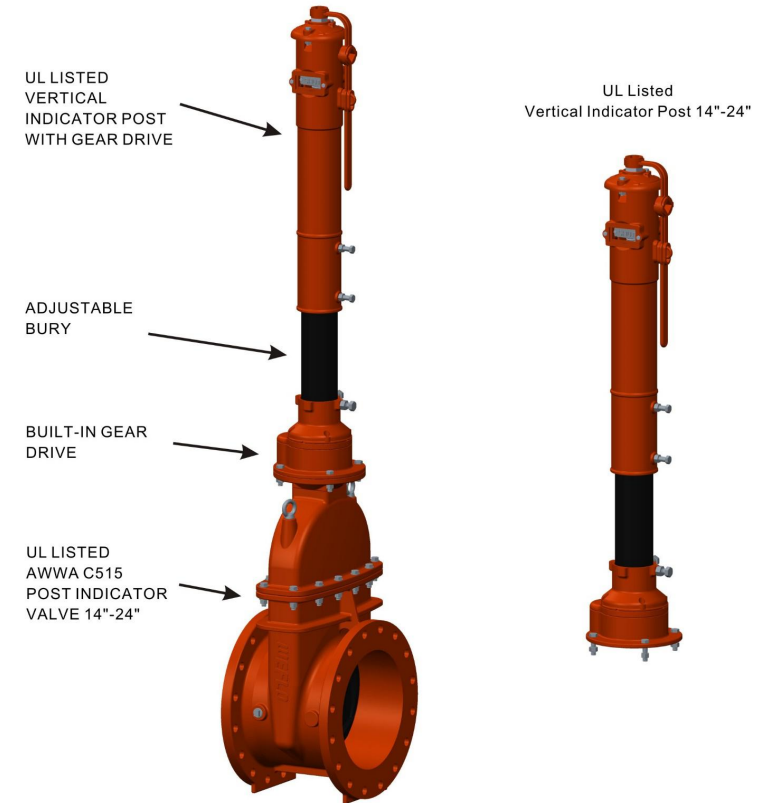
## 14"-24" POST INDICATOR VALVE



# WEFLO®



LARGE DIAMETER POST INDICATOR VALVE /  
VERTICAL POST ASSEMBLY WITH GEAR DRIVE  
UL LISTED 14"-16"-18"-20"-24" SIZES



[www.weflo.com](http://www.weflo.com)





## F0600-IP VERTICAL INDICATOR POST

- ADJUSTABLE BURY
- SOLID CAST UPPER BARREL
- HEAVY DUTY CONSTRUCTION
- NOW UL LISTED THROUGH 24" SIZE





## F0800-IP ADJUSTABLE POST

- TELESCOPING STEM DESIGN – NO NEED TO CUT STEM
- EASILY INSTALLED
- SHIPS IN ONE CRATE
- EASY TO ASSEMBLE, EASY TO STORE



# **WEFLO<sup>®</sup>**

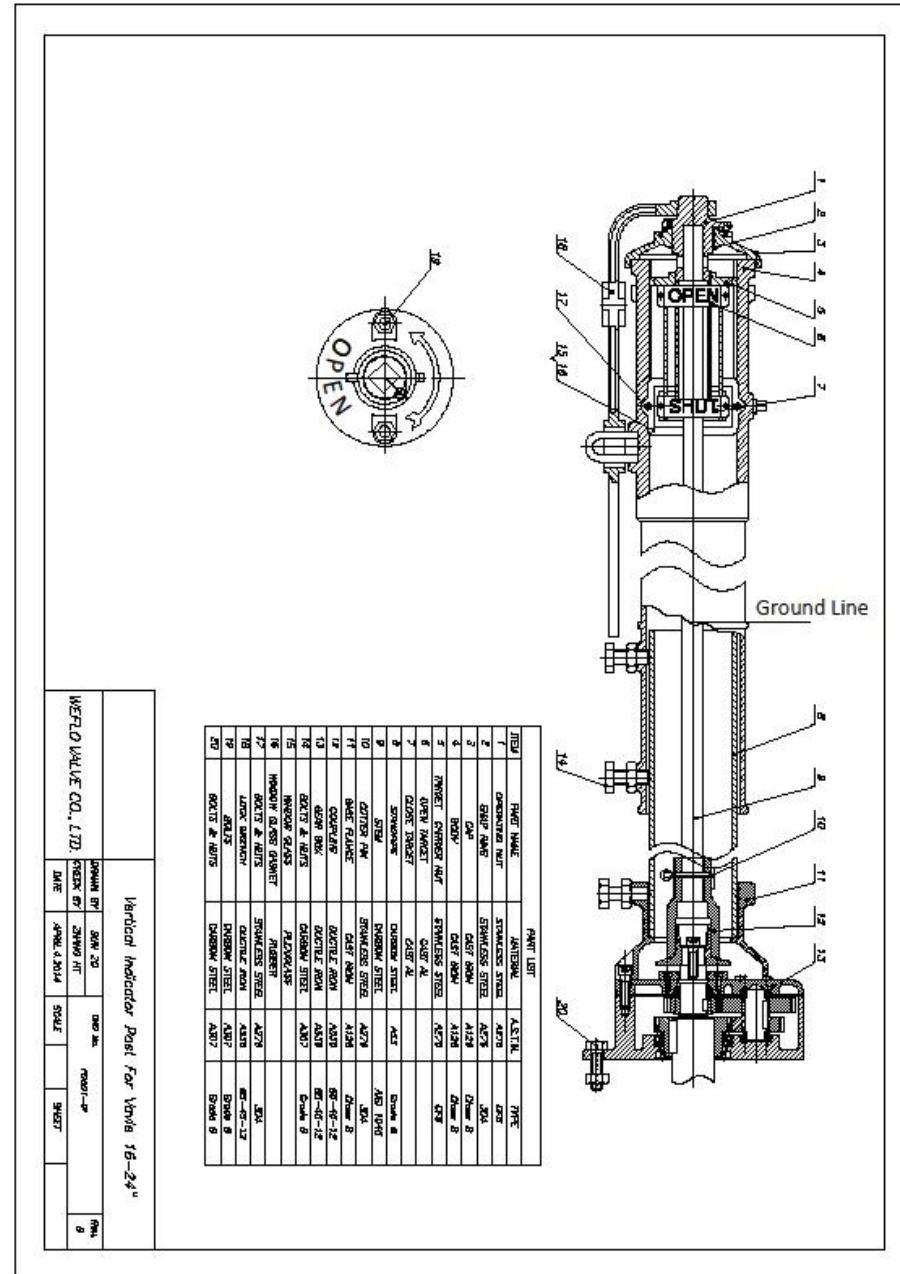
## **F0800-IP**

- **GALVANIZED STEM FOR SUPERIOR COROSSION RESISTANCE**
- **STAINLESS STEEL THREADED TARGET ASSEMBLY**
- **CIRCLE CLIP – EASY TO ADJUST**



## F0601-IP GEARED POST

- THE ONLY UL LISTED VERTICAL INDICATOR POST IN THE WORLD WITH A BUILT-IN GEAR DRIVE
- ALL EPC'S SPECIFY GEAR DRIVE FOR LARGE DIAMETER GATE VALVES
- UL / FM DOES NOT LIST OR APPROVE GATE VALVES WITH GEARS
- F601-IP IS UL LISTED 14"-24" POST ON UL / FM 14"-24" VALVE



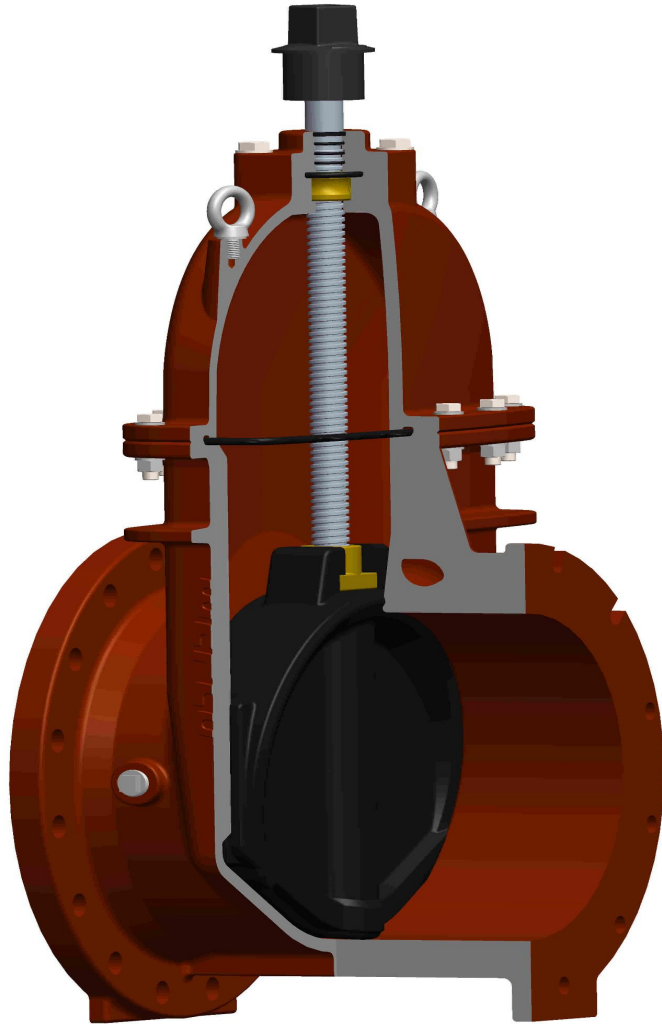


## NRS GATE VALVES

- **UL / FM / NSF-61 / NSF-372  
Through 24" Sizes**
- **All End Configurations**
- **With Operating Nut or  
Handwheel**
- **More and more Waterworks  
Customers Demanding UL / FM**

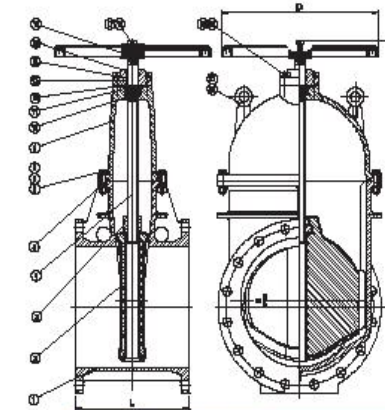
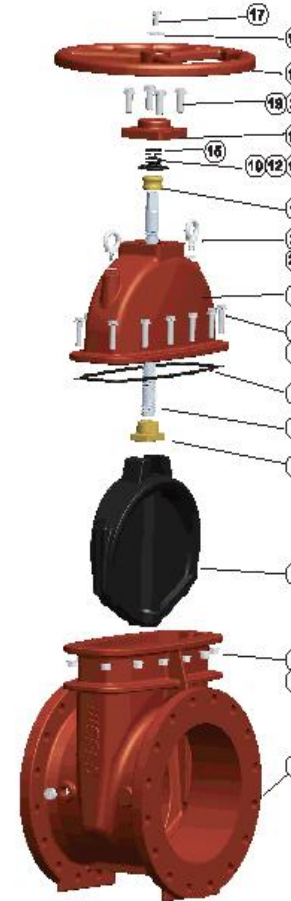






### Submittal

### Line Drawing



### Material Specifications

Size	L	H	D
14"	18"	32.87"	22"
16"	18"	35.83"	22"
18"	17"	41.34"	24"
20"	18"	44.09"	24"
24"	20"	60.76"	30"

No.	Description	Material Specifications
1	Body	Ductile Iron, ASTM A538 65-45-12
2	Wedge	Ductile Iron, EPDM Incorporated
3	Wedge Nut	Brass, ASTM C86350
4	Stem	Stainless Steel, AISI 304
5	Gasket	EPDM
6	Ball	Carbon Steel, ASTM A307B
7	Ball	Carbon Steel, ASTM A307B
8	Washers	Carbon Steel, Zinc Plated
9	Bonnet	Ductile Iron, ASTM A538 65-45-12
10	O-Ring	EPDM
11	Thrust Collar	Brass, ASTM C86350
12	O-Ring	EPDM
13	Stand	Ductile Iron, ASTM A538 65-45-12
14	O-Ring	EPDM
15	Dustproof Ring	NER
16	Handwheel	Ductile Iron, ASTM A538 65-45-12
17	Ball	Carbon Steel, Zinc Plated
18	Washers	Carbon Steel, Zinc Plated
19	Ball	Carbon Steel, ASTM A307B
20	Washers	Carbon Steel, Zinc Plated
21	Eyeballs	Carbon Steel, ASTM A307B
22	Washers	Carbon Steel, Zinc Plated

The design, materials and specifications shown are subject to change without notice due to the continuous development of our products.

**WEFLO<sup>®</sup>**

## UL – FM CHECK VALVES

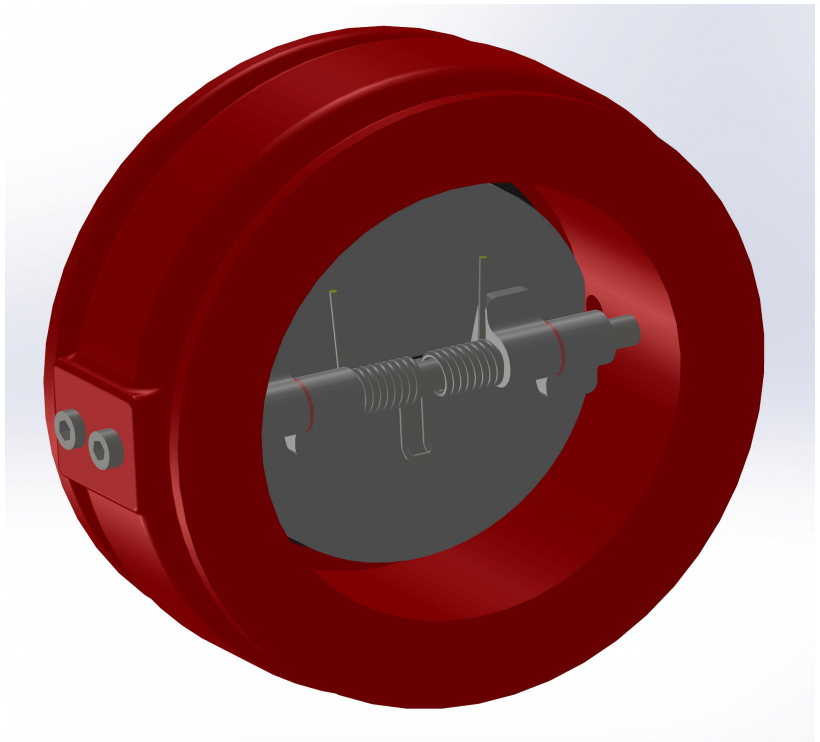
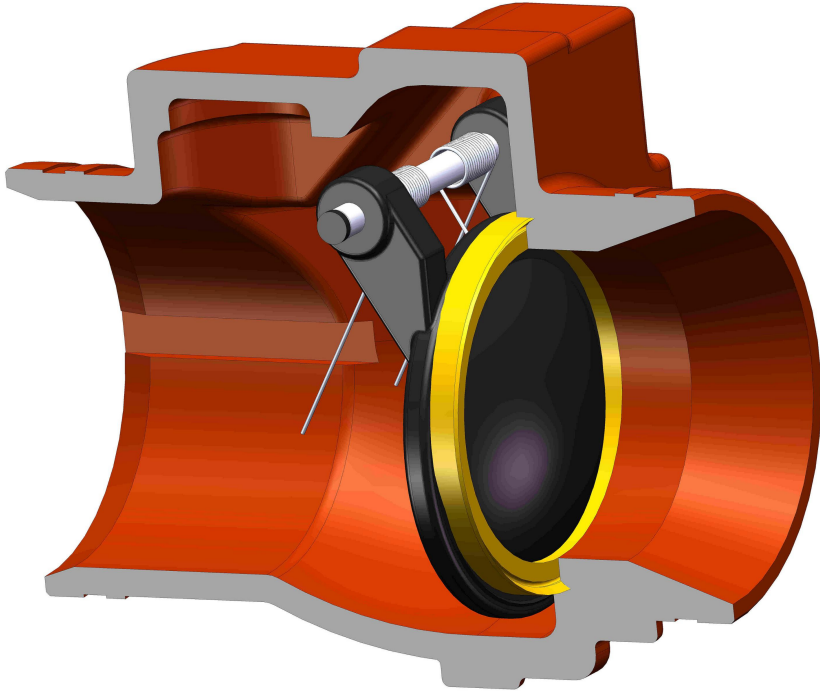


- 2"-12" Flange x Flange
- Ductile-Iron Body, Heavy Duty Construction
- AWWA C508 Standard



**WEFLO<sup>®</sup>**

GROOVED END & DOUBLE  
DOOR CHECK VALVES

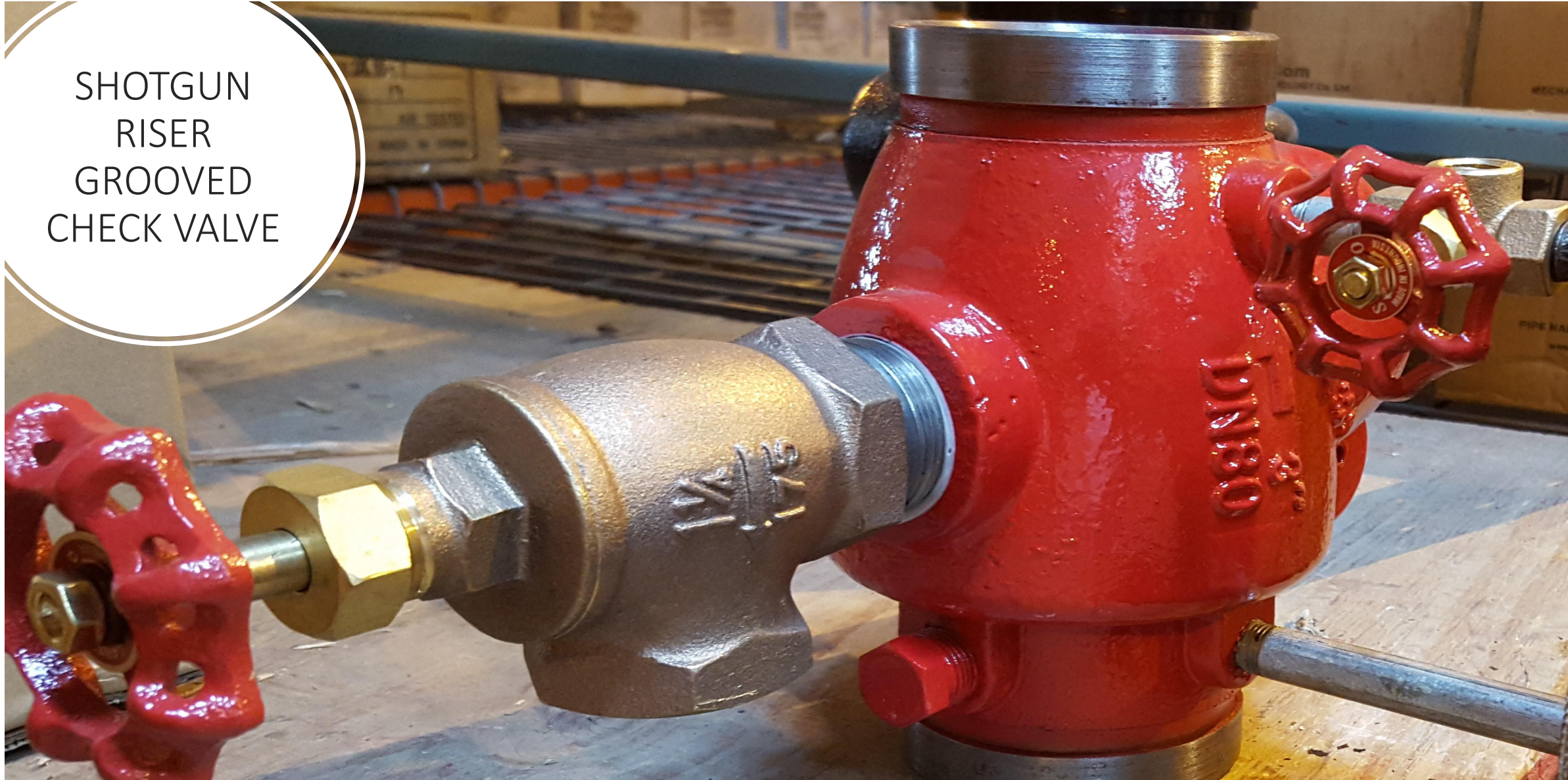


**WEFLO**<sup>®</sup>

c **UL** us  
**LISTED**

**FM**  
**APPROVED**

SHOTGUN  
RISER  
GROOVED  
CHECK VALVE





# Y STRAINERS – BASKET STRAINERS



# **WEFLO**<sup>®</sup>

**c** **UL** **US**  
**LISTED**

**FM**  
**APPROVED**

## BUTTERFLY VALVES

- **UL / FM GROOVED END BUTTERFLY VALVES**
- **UL / FM WAFER STYLE BUTTERFLY VALVES**
- **WITH BUILT-IN SUPERVISORY SWITCH**
- **DUCTILE IRON DISC – EPDM ENCAPSULATED**





# FIRE SPRINKLER MONITORING PRODUCTS

- WATERFLOW DETECTORS
- SUPERVISORY SWITCH FOR INDICATOR POST
- SUPERVISORY SWITCH FOR OS&Y GATE VALVE
- PRESSURE SWITCH





## WATERFLOW DETECTOR

- AVAILABLE WITH ALUMINUM SADDLE OPTION
- NEW RETARD KNOB AVAILABLE
- F6001T THREADED VERSION WITH MULTIPLE PADDLES PROVIDED
- CPVC VERSION COMING SOON



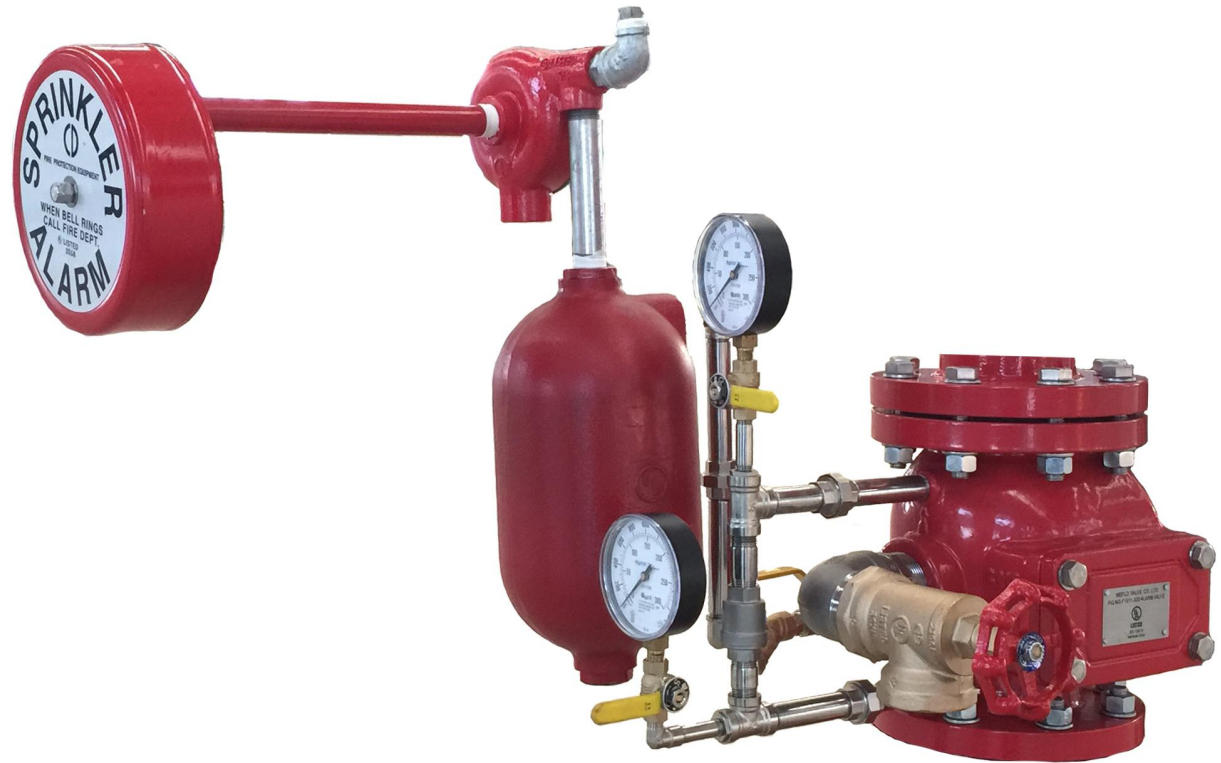


# WEFLO<sup>®</sup>

## ALARM CHECK VALVES



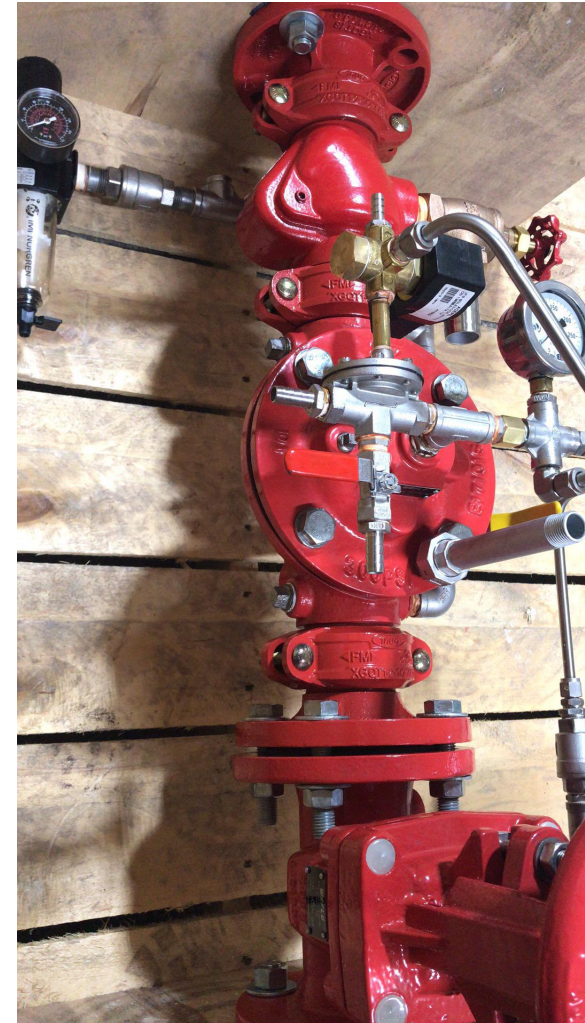
- **FLANGE x FLANGE**
- **FLANGE x GROOVED**
- **GROOVED x GROOVED**
- **UL / FM PRESSURE GAUGES**





## DELUGE VALVES

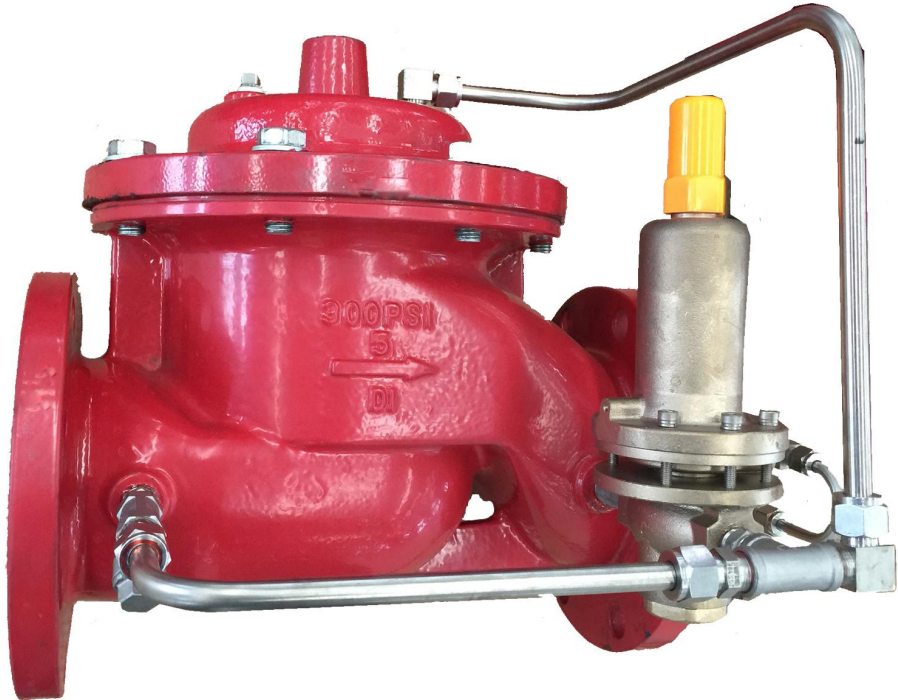
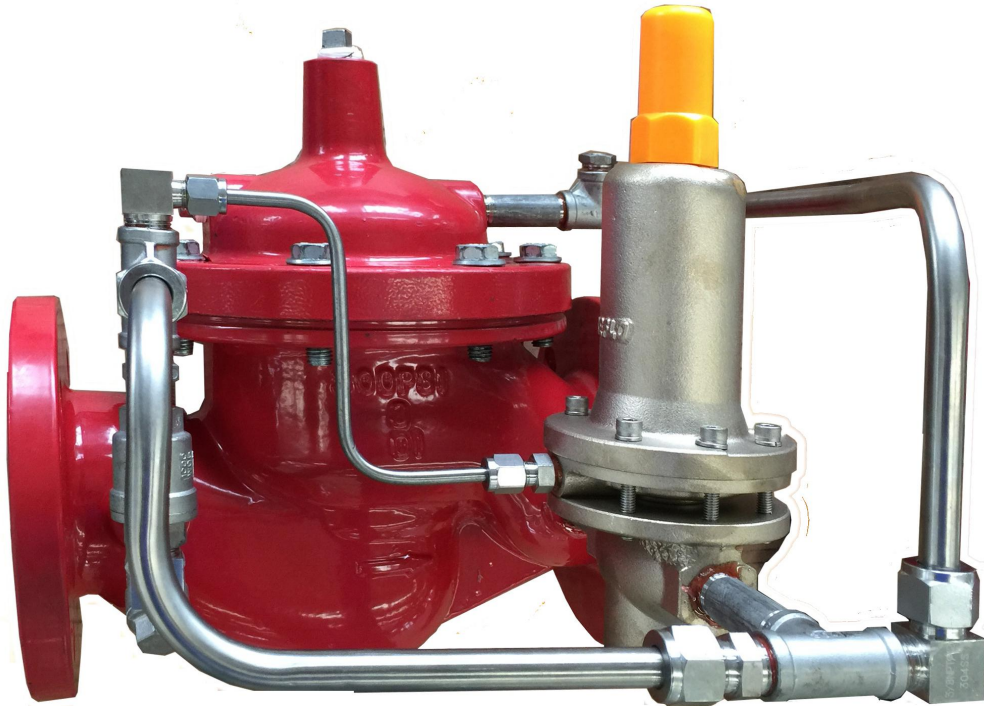
- **UL LISTED 2" – 12" SIZES**
- **DIAPHRAGM STYLE VALVE**
- **MAY BE INSTALLED IN VERTICAL OR HORIZONTAL POSITION**
- **AVAILABLE WITH SPECIAL LINING AND COATING FOR USE WITH SEA WATER IN HARSH ENVIRONMENTS**



**WEFLO<sup>®</sup>**



**PRESSURE RELIEF AND PRESSURE REDUCING**





## WATERWORKS GATE VALVES

- ALL WORLDWIDE STANDARDS
- AWWA
- DIN
- WATERMARK
- FULL SIZE RANGE





## BACKFLOW PREVENTERS

- MUNICIPAL WATER SYSTEMS
- AVAILABLE WITH OS&Y OR NRS SHUT-OFF VALVES
- FLANGED OR GROOVED ENDS





## BUTTERFLY VALVES

- AWWA C504 STANDARD
- EN593 STANDARD
- ALL SIZES AND END CONFIGURATIONS
- ALL DISC TYPES AND SEATING



**WEFLO<sup>®</sup>**

# ECCENTRIC PLUG VALVES

AWWA C517 STANDARD

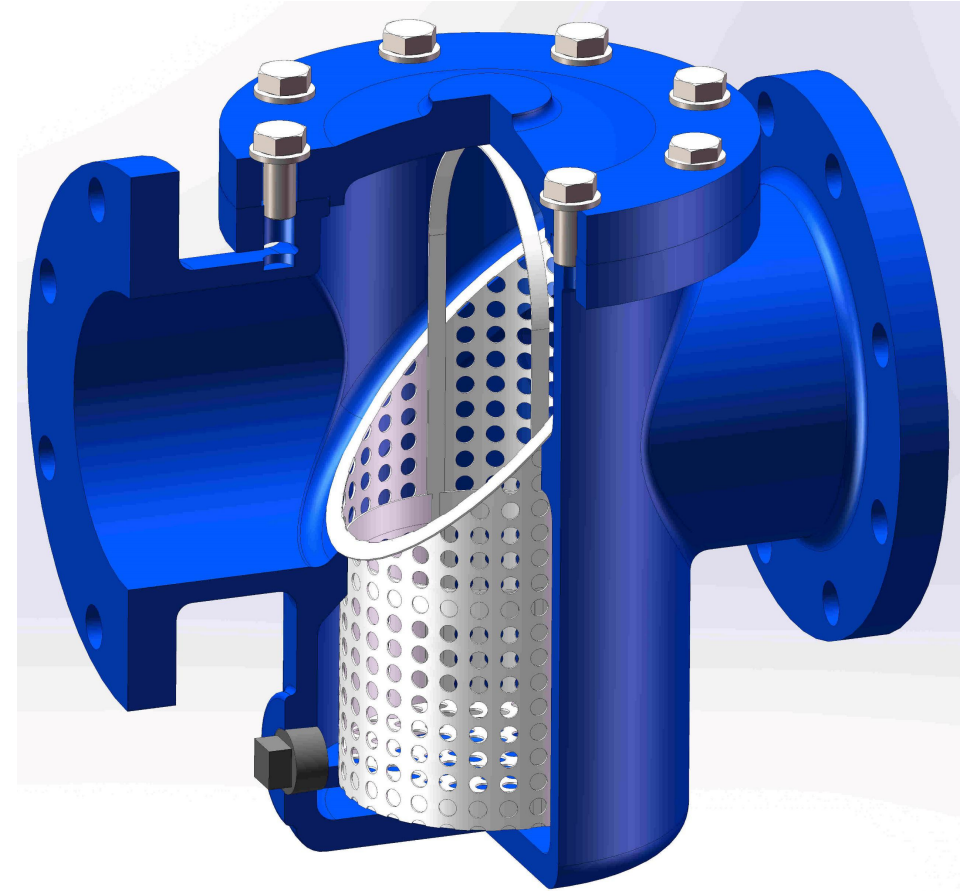
RESILIENT SEATED

ALL END CONFIGURATIONS





# HVAC PRODUCTS – STRAINERS

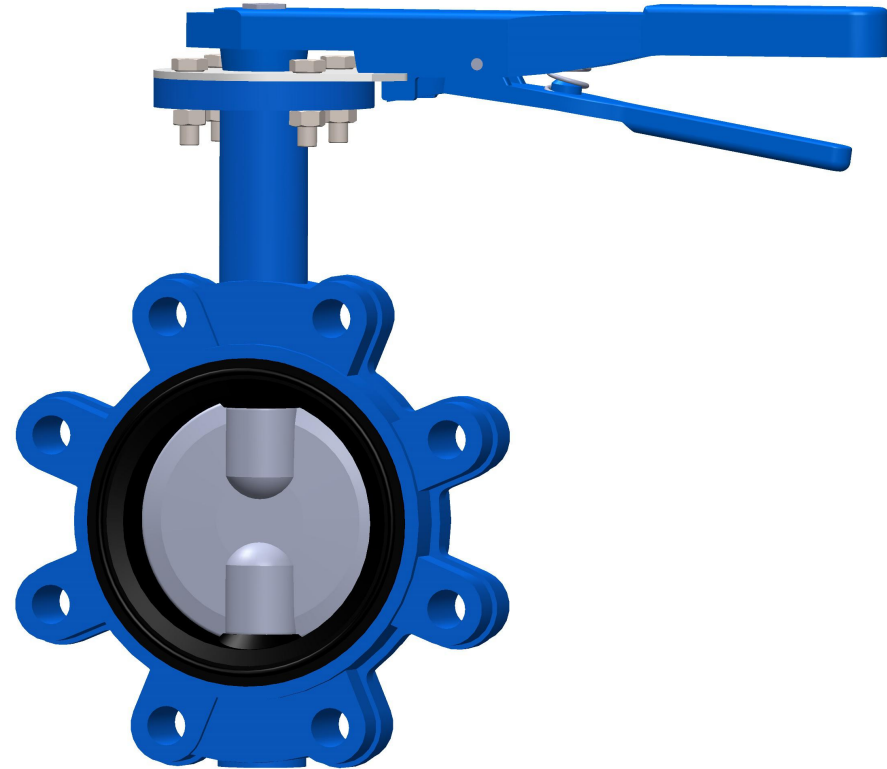






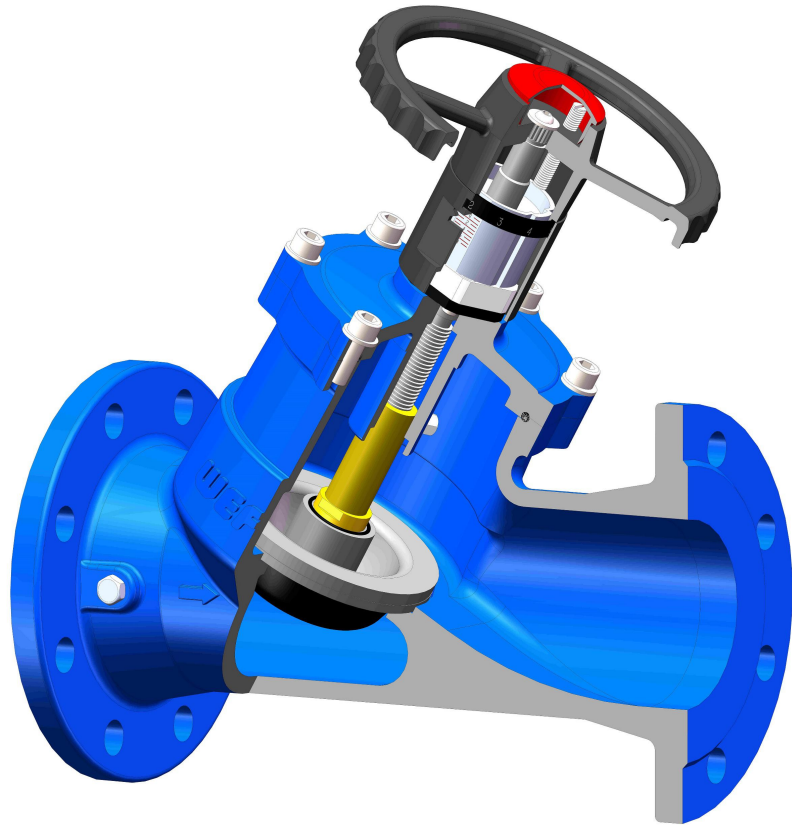
## BUTTERFLY VALVES

- LUG STYLE
- WAFER STYLE
- GROOVED ENDS
- LEVER OR GEAR
- SS DISC / DUCTILE-IRON DISC

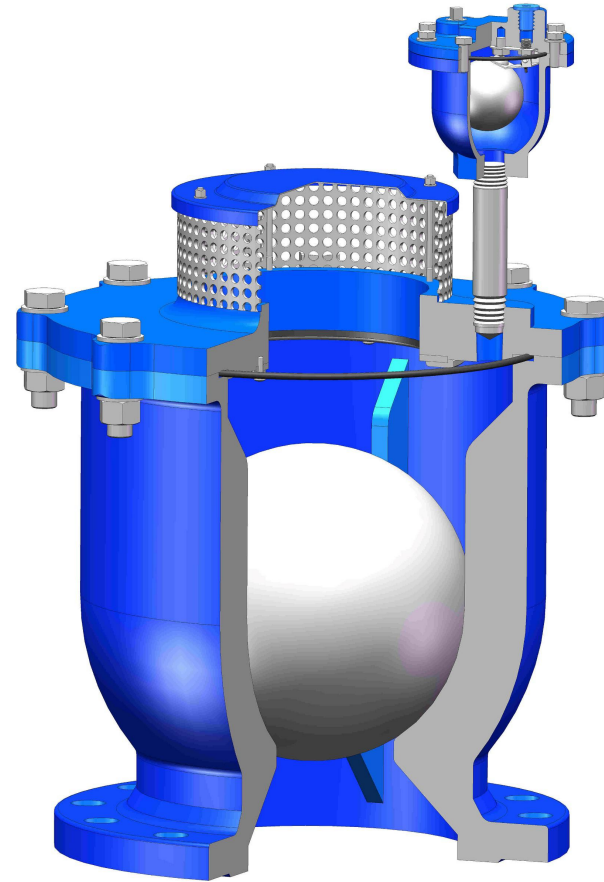


**WEFLO<sup>®</sup>**

BALANCING VALVES

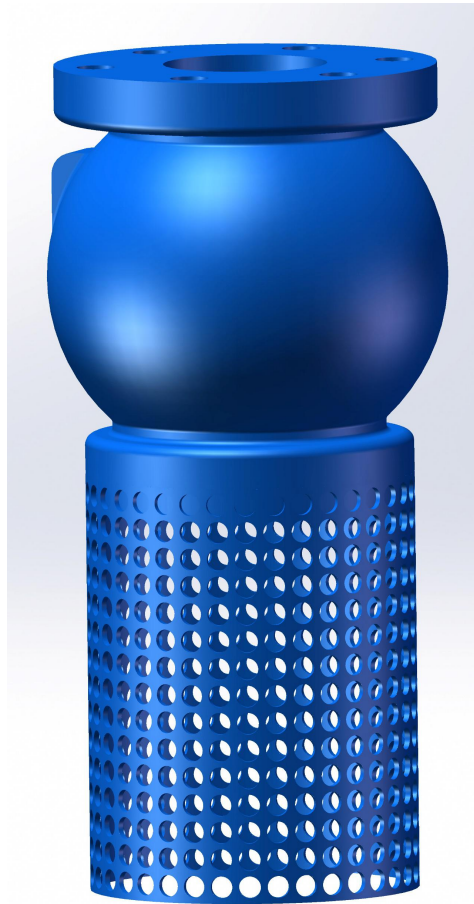


- AIR RELEASE VALVES

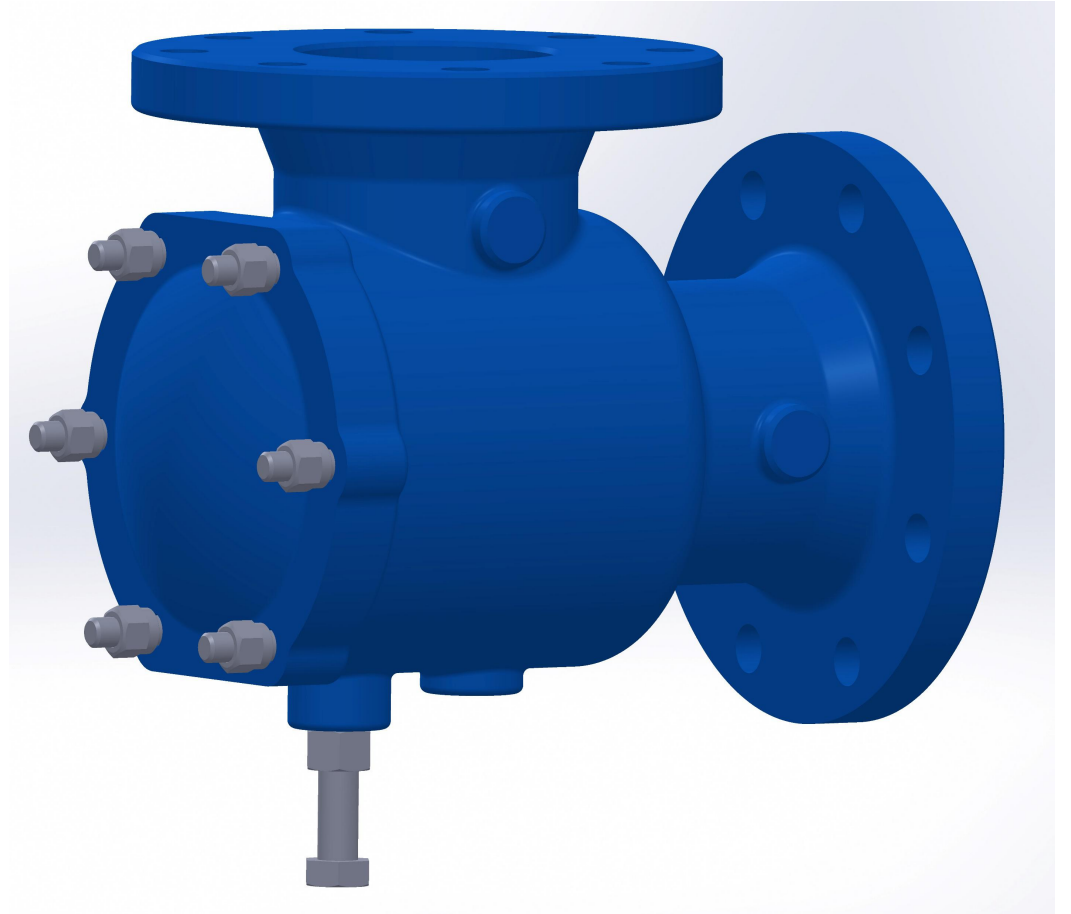




FOOT VALVE



SUCTION DIFFUSER



**WEFLO®**



LARGE DIAMETER – OEM  
– SPECIALTY PRODUCTS

---

**WEFLO<sup>®</sup>**

64" ECCENTRIC PLUG VALVE



66" OS&Y VALVE





# PRIVATE LABEL – OEM PRODUCTS



# MAJOR APPROVALS



**WEFLO**<sup>®</sup>

CHOOSE WEFLO

