

Pressure Gauges

111.10SP 4"

Specifications

- EN 837-1 & ASME B40.100.
- Accuracy class.
- $\pm 3/2/3\%$ of span (ASME B40.100 Grade B).

Working Pressure

- 0/80 psi, retard to 250 psi (air).
- 0/300 psi (water).

Working Temperature

- Ambient: -40°F to 140°F (-40°C to 60°C).
- Media: 140°F (+60°C) maximum.

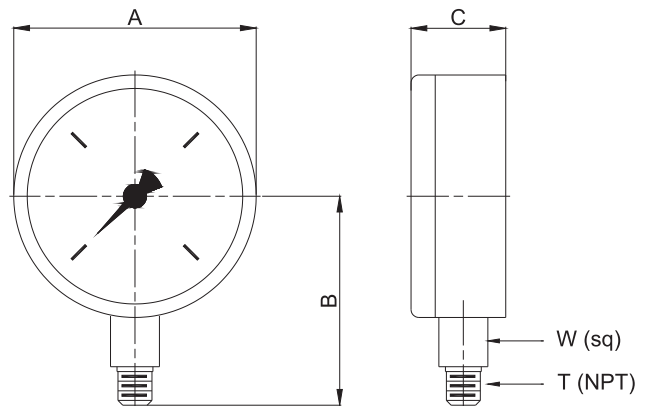
Material Specifications

- Bourdon Tube
Material: Copper Alloy
C-type
- Pressure Connection
Material: Copper Alloy
1/4" NPT Lower Mount (LM)
- Movement
Copper Alloy
- Dial
White Aluminum with Stop Pin; Black and Red Lettering.
- Pointer
Black Aluminum
- Case
Black Polycarbonate
- Window
Snap-in Clear Polycarbonate
- Approvals
UL Listed (UL-393)
FM Approved
- Temperature Error
Additional error when temperature changes from reference temperature of 68°F (20°C) +0.4% for every 18°F (10°C) rising or falling. Percentage of Span.

Schematic



- Fire Sprinkles Systems
- Suitable for all media that will not obstruct the pressure system or attack copper alloy parts
- UL Listed (UL-393), United States and Canada
- Factory Mutual (FM) Approved
- Reliable and Economical



Main Dimensions (mm/inch)

Size	A	B	C	T	W
4	100/4.0	71/2.79	30/1.18	1/4"	14/0.55

Notes

• Designs, materials and specifications shown are subject to change without notice due to the continuous development of our products.