

## Platform Fire Hydrant

## U246C

### Specifications

- Meet or Exceed the Requirements of UL 246C Standard.
- NFPA 1963 Standard Nozzle Threads.
- Bronze Body and Hose Nozzle.
- O-ring Sealed Stem Nut and Hose Nozzle.
- Excellent Flow Characteristics.
- Multiple Nozzle Configurations.
- Monitor Style available.
- UL 246C Listed.
- 250 psi Maximum Working Pressure.

### Schematic



2H0P

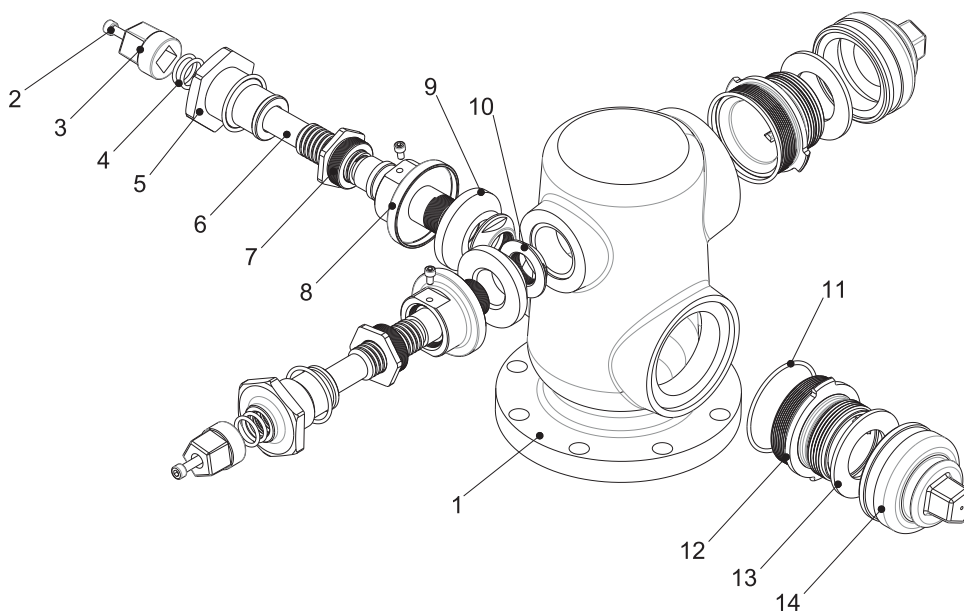
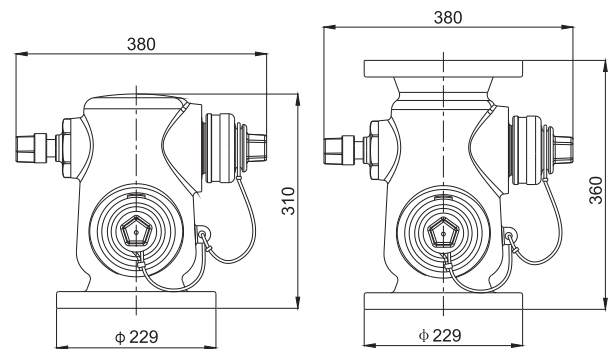


2H0PM

- 2H0P: 2-2.5" Hose Nozzle
- 2H0PM: 2-2.5" Hose Nozzle, with 4" Monitor
- Monitor Flanged to ASTM B16.1 Class 125, Size 4".
- Inlet Connection:  
4" Flanged ASTM B16.1 Class 125 Flat Face.

### Material Specifications

No.	Part	Material	ASTM Specification
1	Body	Bronze	B62 C83600
2	Bolt	Stainless Steel	F593 Grade 316
3	Operating Nut	Bronze	B62 C83600
4	O-ring	Rubber	D2000 NBR
5	Stem Nut	Bronze	B62 C83600
6	Stem	Bronze	B98 C65500
7	Holder Nut	Bronze	B62 C83600
8	Holder	Bronze	B62 C83600
9	Disc	Rubber	D2000 EPDM
10	Retainer	Bronze	B62 C83600
11	O-ring	Rubber	D2000
12	Hose Nozzle	Bronze	B62 C83600
13	Hose Nozzle Gasket	Rubber	D2000
14	Hose Nozzle Cap	Bronze	B62 C83600



### Notes

- Designs, materials and specifications shown are subject to change without notice due to the continuous development of our products.