

Electrically Operated Solenoid Valve

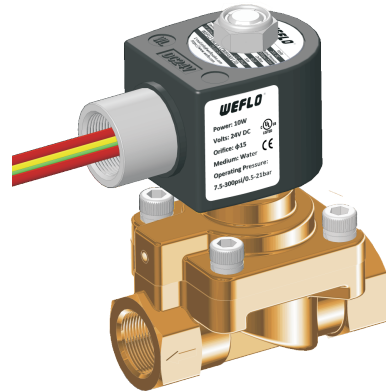
S721

General Description

- Series S721 are 2-way, normally closed, pilot operated solenoid valves with hung diaphragm.
- The valve body is brass construction.

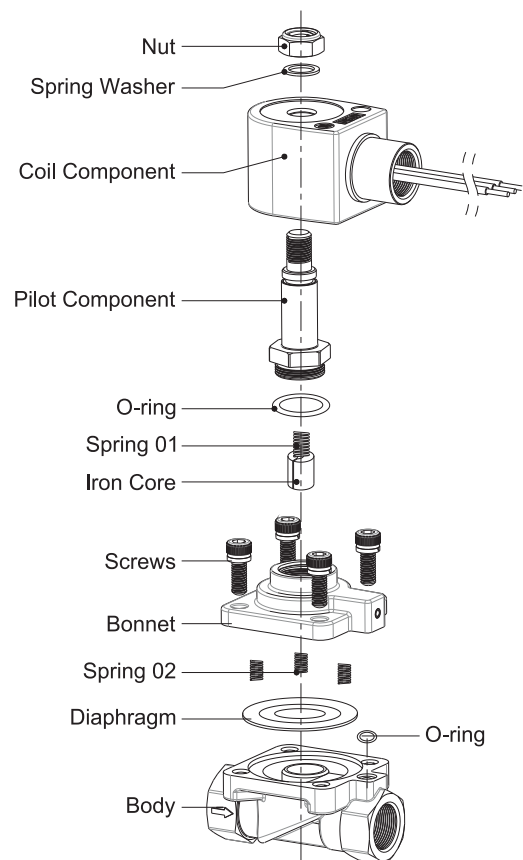
Features

- UL/ULC Listed as per UL429 and UL429A
- CE Marked.
- ½" (DN15) Available. Most commonly used size.
- Wide Pressure Range of 7.5 ~ 300 psi (0.5 ~ 21 bar)
- Long Service Life; Zero internal leakage.
- High Flow.
- Safety voltage DC operated.
- Lead-free brass available for Safe Drinking Water Act Compliance.
- Main Industrial application:
 - Industrial water control
 - Car wash
 - Pumps system
 - Laundry equipment

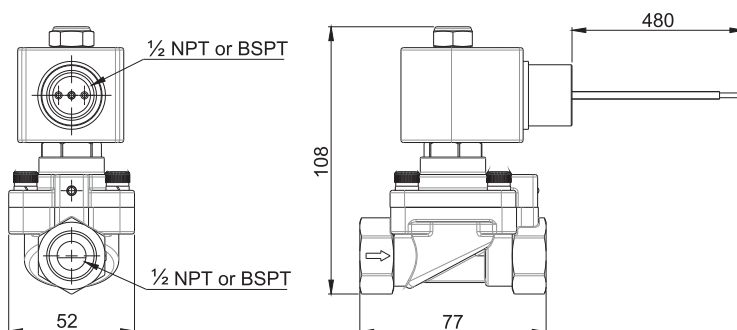


Material Specification

Part	Material
Body	Brass
Diaphragm	EPDM
Bonnet	Brass
Spring	Stainless Steel 304
O-ring	EPDM
Fastener	Stainless Steel 304



Exterior Dimensions



Notes

- Designs, materials and specifications shown are subject to change without notice due to the continuous development of our products.