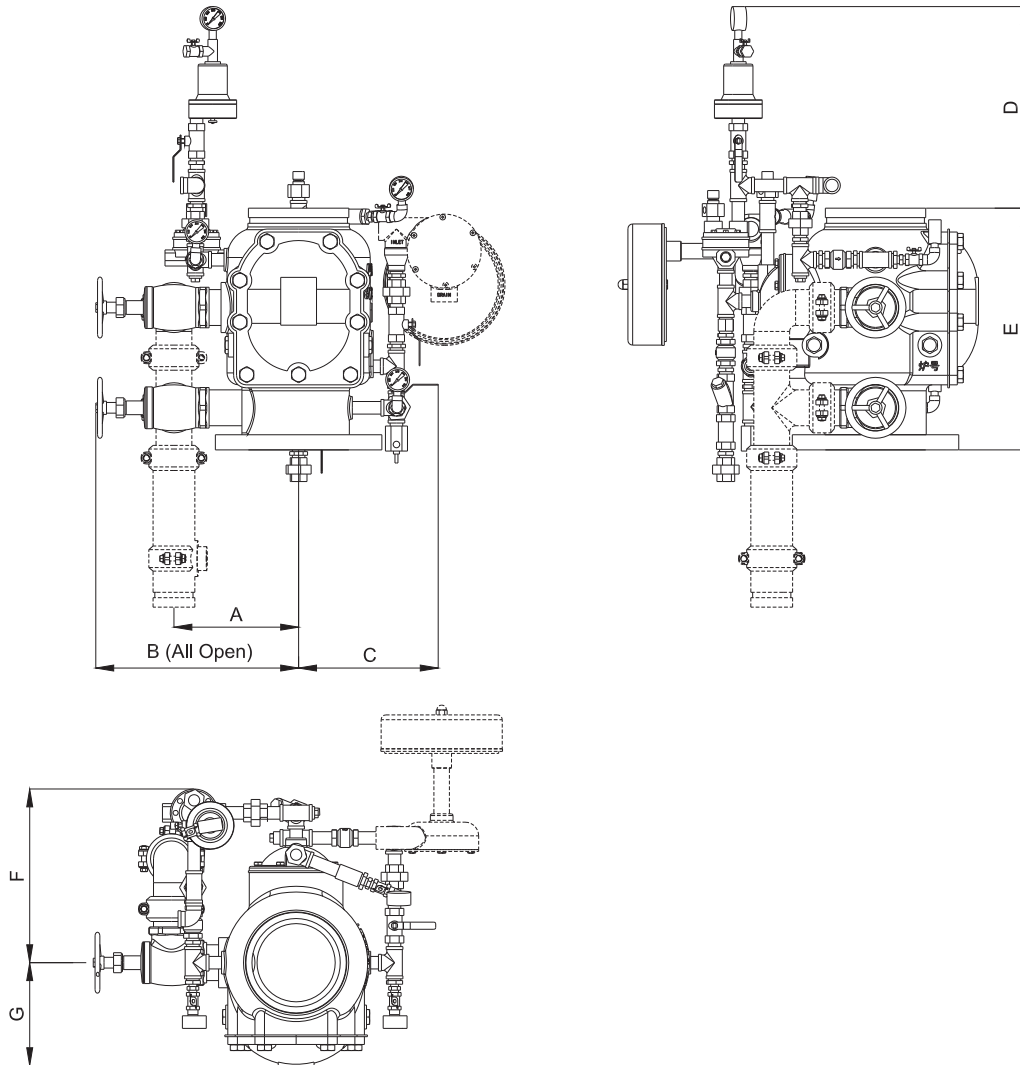


Dry Pipe Systems Valve

FIG. F2511-300 / F2512-300 / F2522-300

Main Dimensions



Size	A	B	C	D	E			F	G
					FXF	FXG	GXG		
3	150/5.90	300/11.81	210/8.27	375/14.76	325/12.80	310/12.20	310/12.20	265/10.43	120/4.72
4	180/7.09	350/13.78	210/8.27	375/14.76	355/13.98	343/13.50	343/13.50	265/10.43	135/5.31
6	210/8.27	375/14.76	250/9.84	345/13.58	431/16.97	405/15.94	405/15.94	290/11.42	175/6.89
8	240/9.45	415/16.34	275/10.83	325/12.80	460/18.11	445/17.52	445/17.52	310/12.20	190/7.48

Notes

• Designs, materials and specifications shown are subject to change without notice due to the continuous development of our products.