

Pressure Relief Valve

FIG. 1321-300

Specifications

- Pressure Relief Valve: Limits pipe line pressure by release excess pressure.
- Pressure Sustaining: Prevents pipe line pressure from rising to a maximum value.
- Operates over a wide flow range.
- Inlet pressure adjustment range: 65~180psi.
- Can be maintained without removal from the pipe line.
- Flanged to EN1092-2 PN10/PN16, ANSI B16.1 Class125. (Other available on request)
- Grooved ends to AWWA C606 Standard.
- Adjustment Range of Set Pressure: 65 to 180 psi.
- Rated Working Pressure 300 psi.
- FM Approved.

Corrosion Protection

- Fusion Bonded Coating Interior and Exterior meet or exceed all applicable of AWWA C550 Standard.

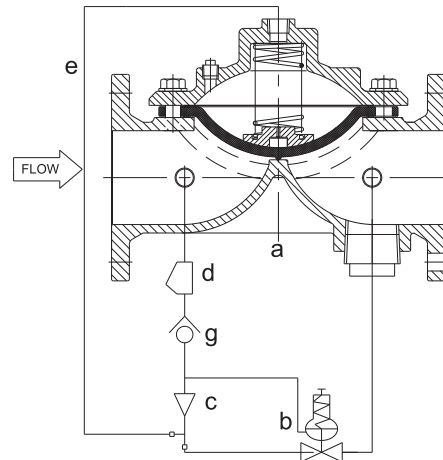
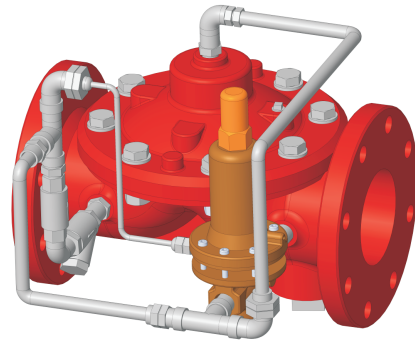
Material Specifications

Part	Material	ASTM Specification
Body	Ductile Iron	A536 Grade 65-45-12
Bonnet	Ductile Iron	A536 Grade 65-45-12
Diaphragm	Nylon Reinforced Natural Rubber/EPDM/NBR	
Spring Retainer	Ductile Iron	A536 Grade 65-45-12
Spring	Stainless Steel	A276 Type 304
Galvanized Bolt	Carbon Steel	A307 Grade B
Galvanized Washer	Carbon Steel	A307 Grade B

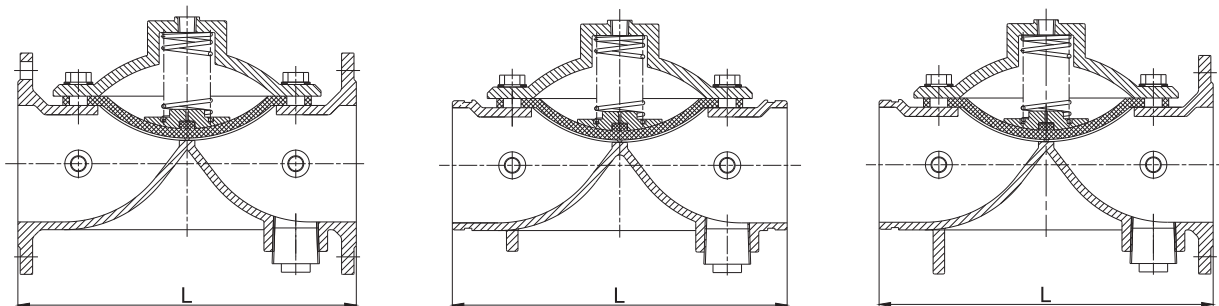
Main Dimensions (mm/inch)

Size	2	2.5	3	4	5
L	233/9	290/11.5	310/12.2	356/14	370/14.5
Size	6	8	10	12	
L	436/17.2	530/20.8	636/25	835/32.8	

Schematic



NO.	Components	Material
a	Main Valve	
b	Pressure Relief Pilot	Bronze
c	Restriction Orifice	Stainless Steel 304
d	Y-Strainer	Stainless Steel 304
e	Pipeline	Stainless Steel 304
g	Check Valve	Stainless Steel 304



Notes

- Designs, materials and specifications shown are subject to change without notice due to the continuous development of our products.