

Pressure Relief Valve

FIG. F1319

Specifications

- Relief Valve: Limits inlet pressure by relieving excess pressure.
- Pressure sustaining: Prevents pipe line pressure from rising to a maximum valve.
- Operates over a Wide Flow Range.
- Inlet Pressure Adjustment Range: 65~180psi.
- Quick opening and adjustable closing speed.
- Flanged to EN 1092-2PN10/PN16, ANSI B16.1 Class125.
(Other available on request)
- Grooved Ends to AWWA C606 Standard.
- Rated Working Pressure 300 psi.
- UL 1478 Listed.
- GOST Certified.

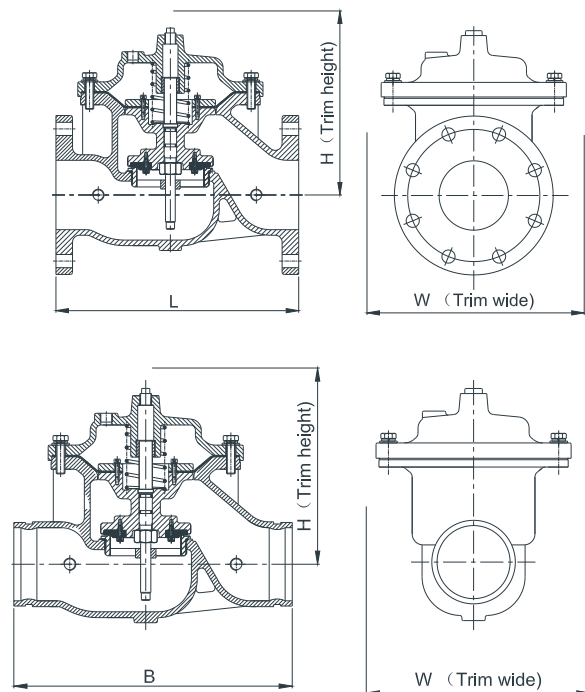
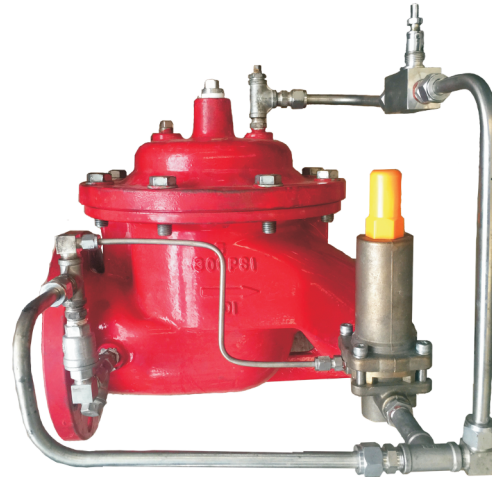
Corrosion Protection

- Fusion Bonded Coating Interior and Exterior meet or exceed all applicable of AWWA C550 Standard.

Material Specifications

Part	Material	ASTM Specification
Body	Ductile Iron	A536 Grade 65-45-12
Bonnet	Ductile Iron	A536 Grade 65-45-12
Seat	Stainless Steel	A276 Type 304
Stem	Stainless Steel	A276 Type 304
Spring	Stainless Steel	A276 Type 304
Diaphragm	Nylon Reinforced Natural Rubber/EPDM/NBR	
Seat Disc	NBR/EPDM	
Pressure Reducing Pilot	Bronze	B62 C62300

Schematic



Main Dimensions (mm /inch)

Size	DN40	DN50	DN65	DN80	DN100	DN125	DN150	DN200	DN250	DN300
L	200/7.87	230/9.05	290/11.42	310/12.2	350/13.78	400/15.75	480/18.9	600/23.6	730/28.75	850/33.46
B	220/8.66	241/9.48	290/11.42	325/12.8	381/15	419/16.5	508/20	645/25.4	762/30	900/35.43
H	180/7.1	200/7.9	215/8.46	265/10.45	310/12.2	360/14.2	380/15	450/17.75	570/22.45	690/27.2
W	410/16.2	420/16.6	440/17.35	455/18	470/18.5	490/19.3	540/21.25	590/23.23	640/25.2	690/27.2

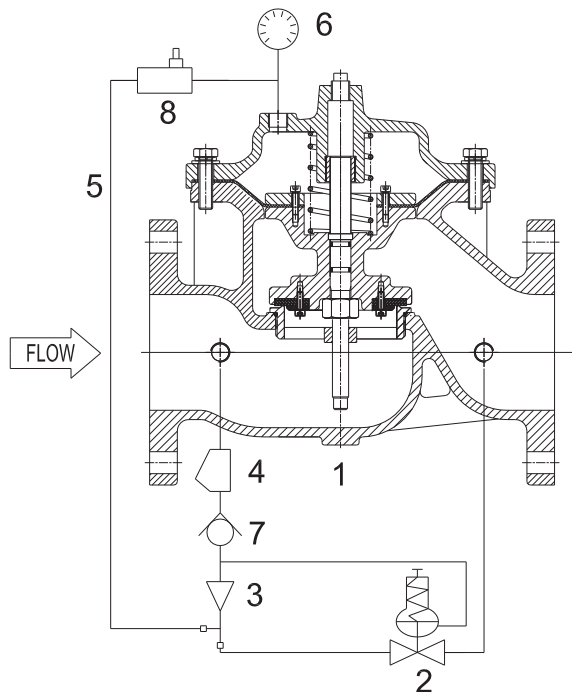
Notes

- 1.5" to 8" valves are UL listed.
- Designs, materials and specifications shown are subject to change without notice due to the continuous development of our products.

Pressure Relief Valve

FIG. F1319

Components Assembly Schematic



NO.	Components	Material
1	Basic Control Valve	
2	Pressure Relief Pilot	Bronze
3	Ejector	Stainless Steel 304
4	Y-Strainer	Stainless Steel 304
5	Tubing/Fittings	Stainless Steel 304
6	Pressure Gauge	
7	Check Valve	Stainless Steel 304
8	Stabilizer	Stainless Steel 304

Recommended Installation

- Install the valve with adequate space and above and around the valve to facilitate servicing. Refer to the Dimensions Table.
- Valve should be installed with the bonnet(cover)at the top particularly 8"(DN 200)and larger valve, and any valve with limit switch.
- Shut-off valves should be installed upstream and downstreams of the control valve. These are used to isolate the control valve during startup and maintenance.
- Install a pressure gauge upstream of the valve to enable adjustment to the required pressure setting. This gauge may be installed in the upstream side port of the valve body.

Operation

- The normally closed, spring-loaded pilot, sensing upstream pressure, responds to changes in pressure upstream of the main valve, and causes the main valve to do the same.
- The net results is a constant modulating action of the pilot and main valve to hold the upstream pressure constant.
- The pilot system is equipped with a closing speed control that can make the valve response to the system variables.

Notes

- 1.5" to 8" valves are UL listed.
- Designs, materials and specifications shown are subject to change without notice due to the continuous development of our products.