

Pressure Relief Valve GrxGr Ends

FIG. F1319

Specifications

- Relief Valve: Limits inlet pressure by relieving excess pressure.
- Pressure sustaining: Prevents pipe line pressure from rising to a maximum valve.
- Operates over a Wide Flow Range.
- Inlet Pressure Adjustment Range: 65~300psi.
- Quick opening and adjustable closing speed.
- Grooved Ends to AWWA C606 Standard.
- Rated Working Pressure 300 psi.
- UL 1478 Listed and FM 1361 Approved.

Corrosion Protection

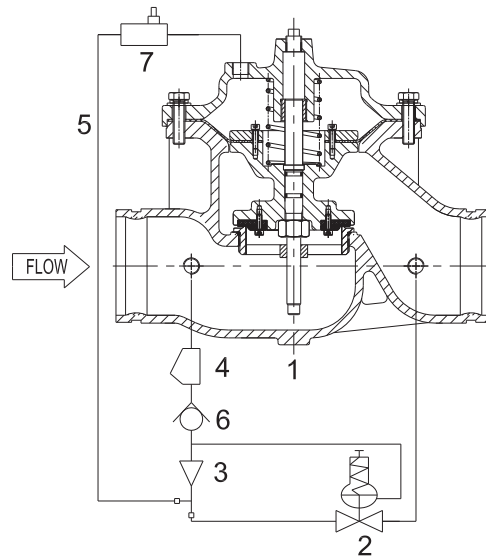
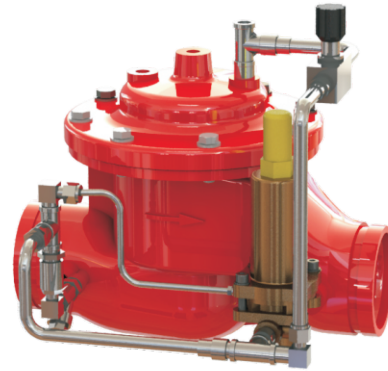
- Fusion Bonded Epoxy Coated Interior and Exterior to AWWA C550 Standard.

Material Specifications

Part	Material	ASTM Specification
Body	Ductile Iron	A536 Grade 65-45-12
Bonnet	Ductile Iron	A536 Grade 65-45-12
Seat	Stainless Steel	A276 Type 304
Stem	Stainless Steel	A276 Type 304
Spring	Stainless Steel	A276 Type 304
Diaphragm	Nylon Reinforced Natural Rubber/EPDM/NBR	
Seat Disc	NBR/EPDM	
Pressure Relief Pilot	Bronze	Assembly

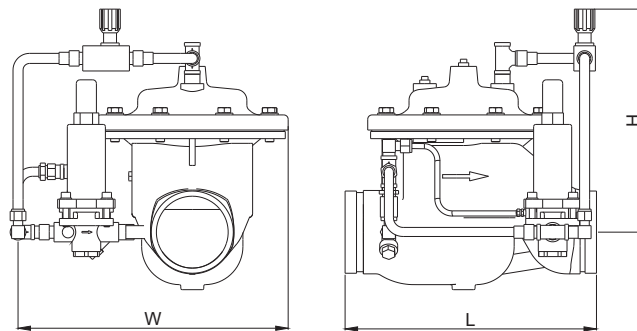
NO.	Components	NO.	Components
1	Basic Control Valve	5	Tubing/Fittings
2	Pressure Relief Pilot	6	Check Valve
3	Ejector	7	Stabilizer
4	Y-Strainer		

Schematic



Main Dimensions (mm /inch)

Size	DN40	DN50	DN65	DN80	DN100	DN125	DN150	DN200	DN250	DN300
L	220/8.66	241/9.48	290/11.42	325/12.8	381/15	419/16.5	508/20	645/25.4	762/30	900/35.43
H	180/7.1	200/7.9	215/8.46	265/10.45	310/12.2	360/14.2	380/15	450/17.75	570/22.45	690/27.2
W	410/16.2	420/16.6	440/17.35	455/18	470/18.5	490/19.3	540/21.25	590/23.23	640/25.2	690/27.2



Notes

- 1.5" to 8" valves are UL listed.
- 1.5" to 12" valves are FM Approved.
- Designs, materials and specifications shown are subject to change without notice due to the continuous development of our products.