

Deluge Valve

FIG. 9266

Specifications

- Multiple End Types for Main Valve: Flange by Flange, Flange by Groove, Groove by Groove.
- Flanged connections are drilled per EN1092 -PN10/16 or ANSI B16.1 Class 125. (Other flange types available upon request)
- Grooved connections are cut in accordance with standard groove specifications for steel pipe.
- High-pressure, high-flow deluge systems.
- Superior design featuring exceptionally low pressure losses at high flow rates.
- Low to negligible lifelong maintenance costs to no wetted metallic and mechanical moving parts design.
- For use in dry pipe (automatic sprinkler) fire protection systems.
- UL Listed, 3C Certified.
- Automatic or local manual emergency actuation.
- Hazardous-flammable and explosion classified area fire suppression.
- Use for electrical signal trigger system and pipeline connection diagram system, manual-reset.
- Onshore & Offshore, Naval, Industrial, Commercial & Residential fire suppression.
- Installed both Vertically and Horizontal Orientation.
- Working Pressure 20 to 300 psi.
- UL 260 Listed.
- Fusion Bonded Epoxy Coated Interior and Exterior to AWWA C550 Standard.

Material Specifications

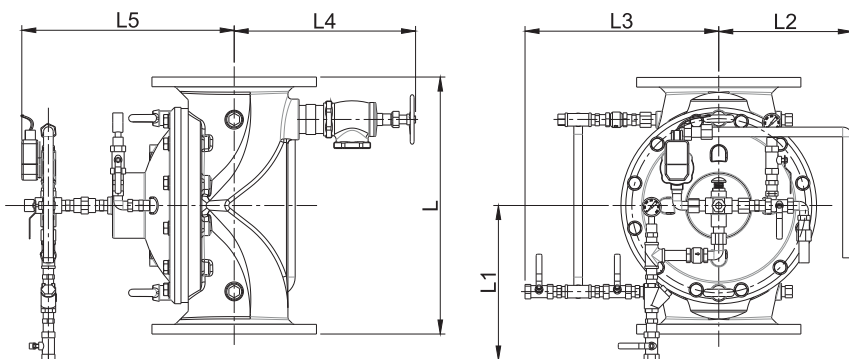
Main Valve

Part	Material	ASTM Specification
Body	Ductile Iron	A536 Grade 65-45-12
Bonnet	Ductile Iron	A536 Grade 65-45-12
Bonnet Fasteners	Carbon Steel	A307 Grade B
Diaphragm	Nylon Reinforced Natural Rubber/ EPDM/ NBR	
Spring	Stainless Steel	A276 Type 304

Accessories

Specification	Material
Tube	Type 304 SS
Pipe Fittings	Malleable Iron
Ball Valve	Brass
Solenoid Valve	Brass
½" Check Valve	Brass
Pressure Gauge	Assembly
½" Y-Strainer	Brass
Angle Valve	Brass
Water Relay	Brass
Drip Valve	Brass

Dimensions (mm/inch)



Size	2"	2-1/2"	3"	4"	5"	6"	8"	10"	12"
L	233/9.2	290/11.4	310/12.2	356/14.0	370/14.6	436/17.2	530/20.9	636/25.0	835/32.9
L1	345/13.6	345/13.6	345/13.6	345/13.6	345/13.6	345/13.6	345/13.6	365/14.4	465/18.3
L2	270/10.6	270/10.6	270/10.6	270/10.6	270/10.6	270/10.6	280/11.0	320/12.6	410/16.1
L3	400/15.8	400/15.8	410/16.1	420/16.5	430/16.9	450/17.7	470/18.5	500/19.7	530/20.9
L4	310/12.2	330/13.0	330/13.0	350/13.8	360/14.2	380/15.0	400/15.8	430/16.9	470/18.5
L5	300/11.8	310/12.2	360/14.2	360/14.2	360/14.2	380/15.0	450/17.7	480/18.9	520/20.5

Notes

• Designs, materials and specifications shown are subject to change without notice due to the continuous development of our products.