

## Pressure Switch

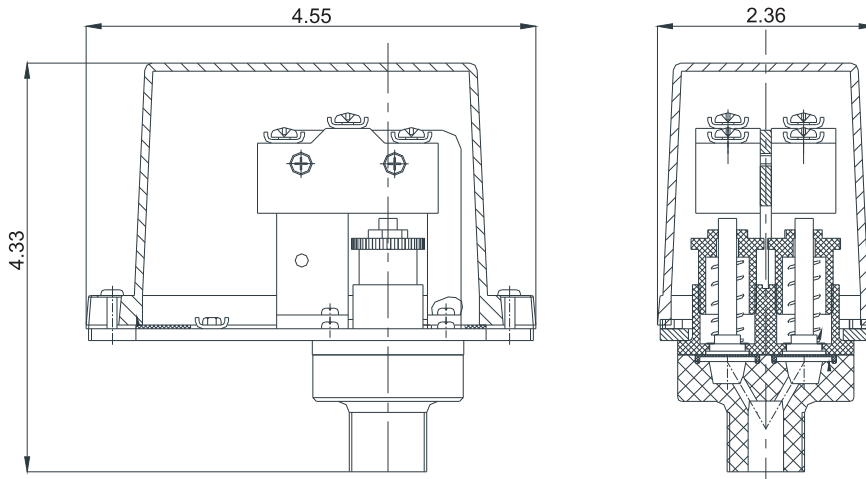
WPS10-1 WPS10-2 WPS40-1 WPS40-2 WPS120-1 WPS120-2

### Features:

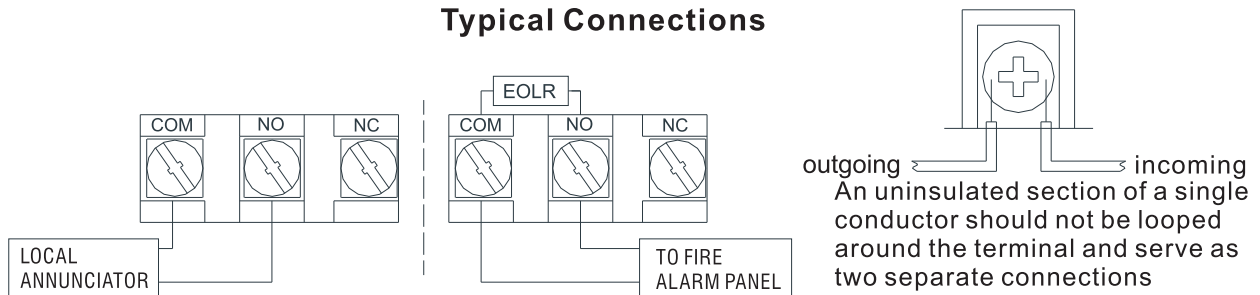
- Maximum Adjustment Pressure Range:
  - WPS10-1/WPS10-2: 4-20psi
  - WPS40-1/WPS40-2: 10-100psi
  - WPS120-1/WPS120-2: 10-200psi
- Factory Setting:
  - WPS10-1, WPS10-2: 4-8 psi
  - WPS40-1: operates at decreasing pressure at 30 psi
  - WPS40-2: operates at increasing pressure at 50 psi and decreasing pressure 30 psi
  - WPS120-1: operates at decreasing pressure at 110 psi
  - WPS120-2: operates at increasing pressure at 130 psi and decreasing pressure 110 psi
- Approximate Differential:
  - WPS10-1/WPS10-2: 3 psi throughout range
  - WPS40-1/WPS40-2: 3 psi @ 10psi & 6psi @ 100psi
  - WPS120-1/WPS120-2: 3 psi @ 10psi & 9psi @ 200psi
- Contact Rating:
  - 10A@125/250VAC,
  - 2.5A@ 30VDC
- UL/ULC Listed.
- FM Approved.



### Schematic&Dimensions /inch



### Typical Connections



The designs, materials and specifications shown are subject to change without notice due to the continuous development of our products.