

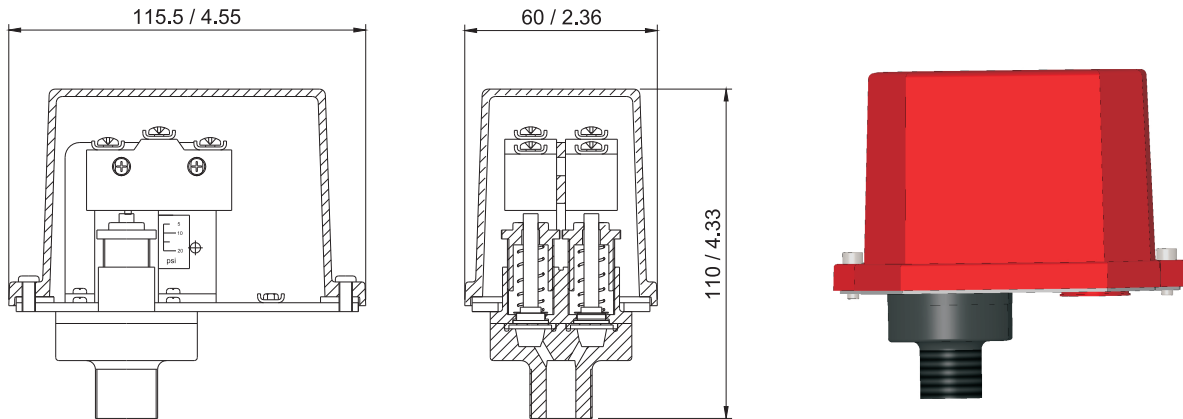
**FIG. WPS10-1 / WPS10-2
WPS40-1 / WPS40-2
WPS120-1 / WPS120-2**

Pressure Switch

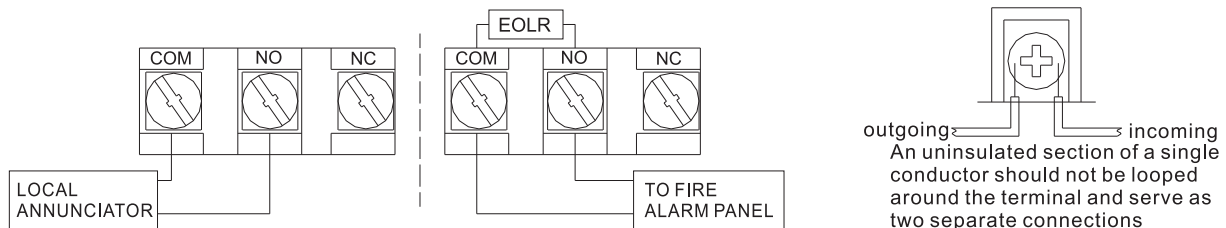
Features

- Maximum Adjustment Pressure Range:
WPS10-1 / WPS10-2: 4-20 psi.
WPS40-1 / WPS40-2: 10-100 psi.
WPS120-1 / WPS120-2: 10-200 psi.
- Factory Setting:
WPS10-1, WPS10-2: 4-8 psi.
WPS40-1: operates at decreasing pressure at 30 psi.
WPS40-2: operates at increasing pressure at 50 psi and decreasing pressure 30 psi.
WPS120-1: operates at decreasing pressure at 110 psi.
WPS120-2: operates at increasing pressure at 130 psi and decreasing pressure 110 psi.
- Approximate Differential:
WPS10-1 / WPS10-2: 3 psi throughout range.
WPS40-1 / WPS40-2: 3 psi @ 10 psi & 6psi @ 100 psi.
WPS120-1 / WPS120-2: 3 psi @ 10 psi & 9 psi @ 200 psi.
- Contact Rating: 10A @ 125/250VAC, 2.5A @ 30VDC.
- IP 66.
- UL/ULC Listed, FM Approved, CE, EAC, VdS, LPCB, 3C certified.

Schematic & Dimensions (mm / Inch)



Typical Connections



Note

• Designs, materials and specifications shown are subject to change without notice due to the continuous development of our products.