

NRS RESILIENT SEATED GATE VALVE FLANGED ENDS 300PSI FIG · F0211 – 300

Specifications

- Complies with AWWA C515 Standard
- Non-Rising Stem, Resilient Seated
- Triple O-rings stem seal
- Optional Test Plug
- Flanges to ANSI B16.1 Class125. Other flange types available upon request
- Underwriters Laboratories Listed @ 300 psi
- Factory Mutual Approved @ 300 psi

- Working pressure:
300PSI
200PSI and 250PSI available on request

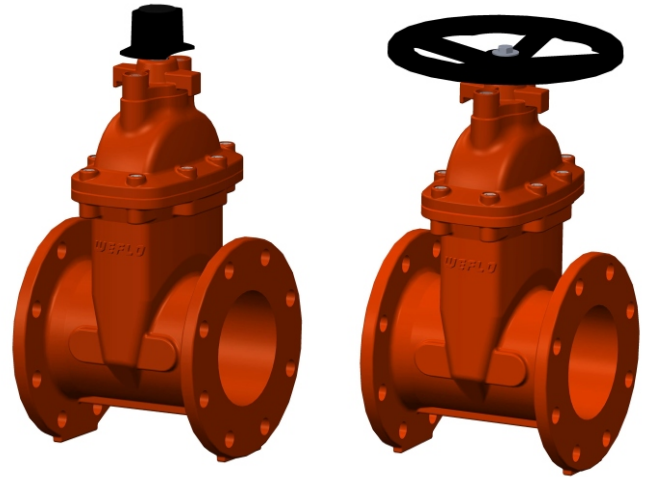
- Working temperature:
42° F – 180° F

- Corrosion protection:
Fusion Bonded Epoxy Coated Interior and Exterior to AWWA C550 Standard

- Installation:
Valves installed in horizontal piping systems should have the stems oriented vertically
Valves installed in vertical piping systems should have the stems oriented horizontally

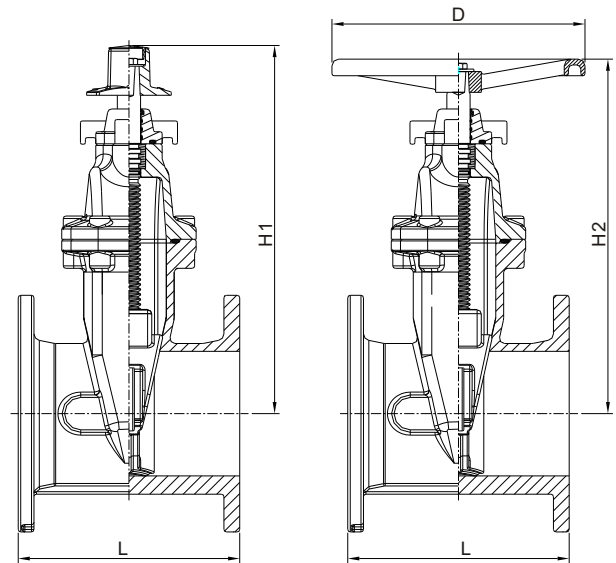
Note:
Design and material are subject to change without notice.

Schematic



Material Specifications

| Part Name | Material | ASTM Spec. |
|------------------|---------------------------------|---------------|
| Body | Ductile Iron | A536 65-45-12 |
| Wedge | Ductile Iron, EPDM Encapsulated | |
| Wedge Nut | Bronze | B62 C83600 |
| Stem | Stainless Steel | AISI 420 |
| Bonnet | Ductile Iron | A536 65-45-12 |
| Gasket | Rubber | EPDM |
| Packing | Graphite | Commercial |
| Gland | Ductile Iron | A536 65-45-12 |
| Thrust Collar | Bronze | B62 C83600 |
| O-ring | Rubber | EPDM |
| Operating Nut | Ductile Iron | A536 65-45-12 |
| Post Flange Bolt | Stainless Steel | AISI 316 |
| Bonnet Bolt | Carbon Steel | A307 B |



With Operating Nut

With Handwheel

Dimensions (mm/inch)

| Size | 2.5" | | 3" | | 4" | | 5" | | 6" | | 8" | | 10" | | 12" | |
|--------------|-------|--------|-----|--------|-----|--------|-----|---------|-----|----------|-----|----------|-----|--------|-----|---------|
| | mm | inch | mm | inch | mm | inch | mm | inch | mm | inch | mm | inch | mm | inch | mm | inch |
| L | 190.5 | 7-1/2 | 203 | 8 | 229 | 9 | 254 | 10 | 267 | 10-1/2 | 292 | 11-1/2 | 330 | 13 | 356 | 14 |
| H1 | 270 | 10-5/8 | 296 | 11-5/8 | 350 | 13-3/4 | 410 | 16-1/8 | 455 | 17-15/16 | 545 | 21-7/16 | 645 | 25-3/8 | 730 | 28-3/4 |
| H2 | 255 | 10 | 302 | 11-7/8 | 327 | 12-7/8 | 417 | 15-7/16 | 436 | 17-3/16 | 532 | 20-15/16 | 619 | 24-3/8 | 716 | 28-3/16 |
| D | 175 | 6-7/8 | 255 | 10 | 255 | 10 | 305 | 12 | 305 | 12 | 355 | 14 | 405 | 16 | 405 | 16 |
| Weight (LBS) | 31 | | 41 | | 49 | | 64 | | 88 | | 146 | | 220 | | 324 | |