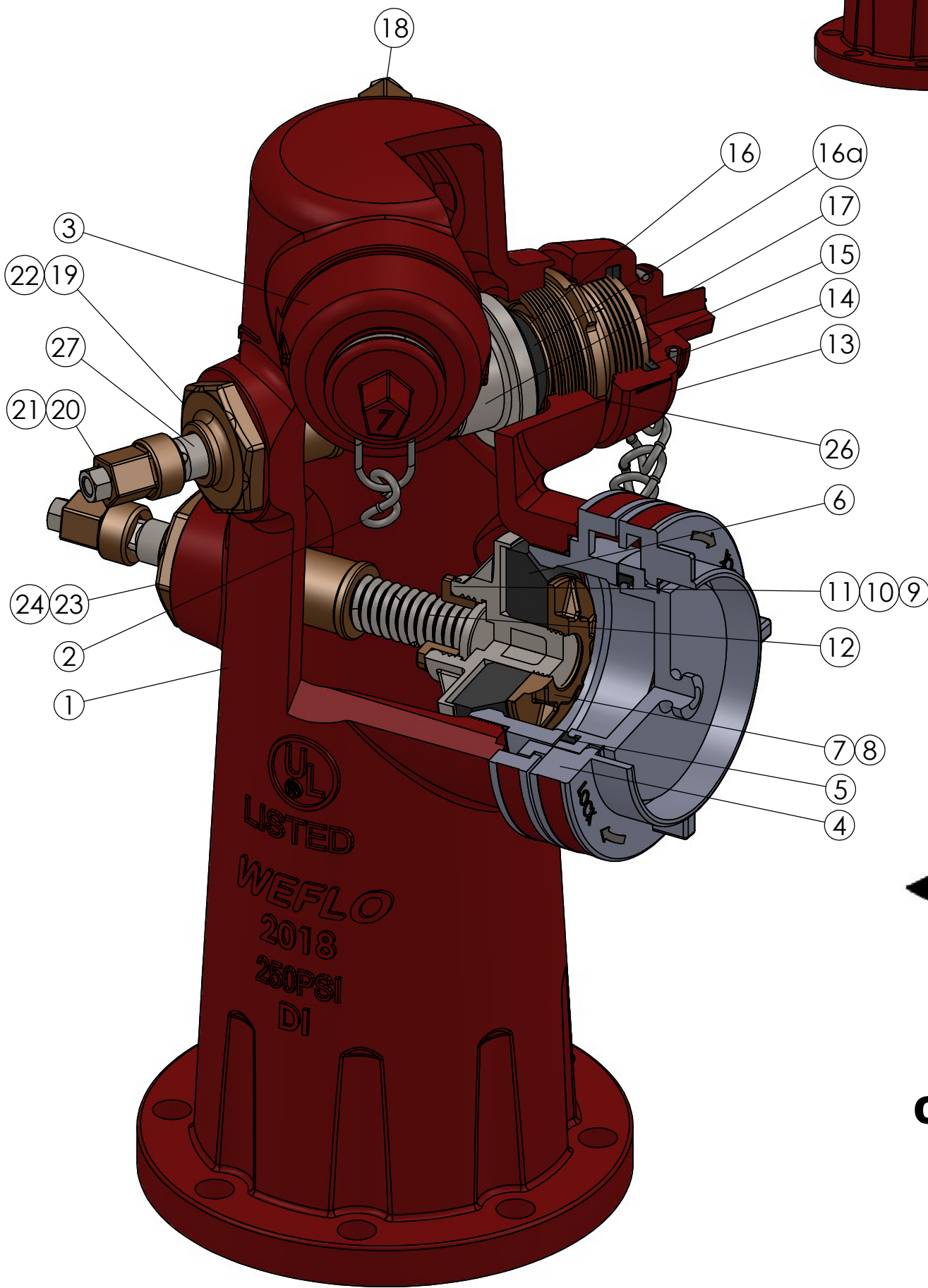
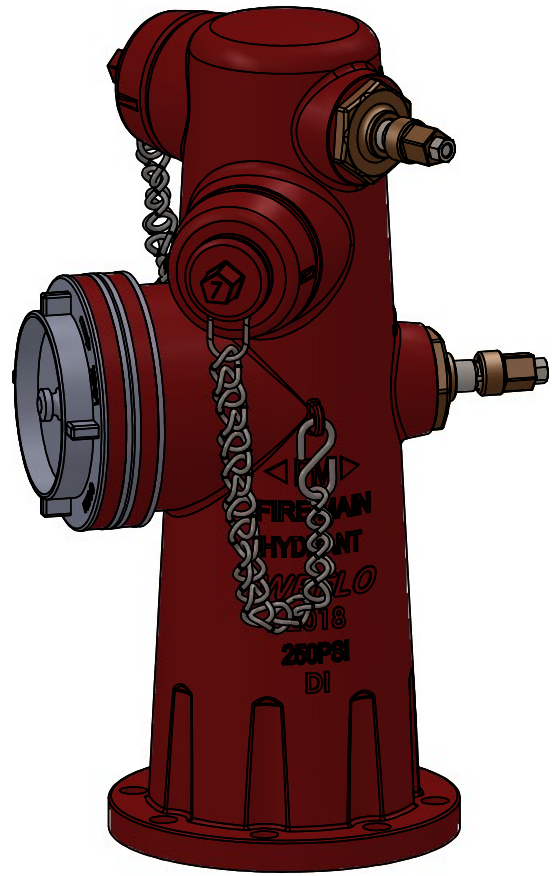


Item No.	Description	Material	Specification	Qty. Req'd
1	Body	DI	ASTM A536 65-45-12	1
2	Chain	Carbon Steel		3
3	Nozzle Cap	Cast Iron		1
4	Storz Nozzle	Aluminum		1
5	Storz Nozzle Gasket	NBR		1
6	Main Valve	NBR		1
7	Main Valve Retainer	Bronze	ASTM B62	1
8	Screw M5x10	SS304		3
9	Main Valve Holder	SS304		1
10	Holder Nut	Bronze	ASTM B62	3
11	Lock Washer	SS304		3
12	Stem-A	SS304		1
13	Hose Nozzle Cap	CI	ASTM A126	2
14	Hose Nozzle Gasket	NBR		2
15	Hose Nozzle	Bronze	ASTM B62	2
16	Main Valve Retainer	Bronze	ASTM B62	2
16a	Main Valve	NBR		2
17	Main Valve Holder	SS304		2
18	Stem-C	SS304		1
19	Stem Nut	Bronze	ASTM B62	2
20	Operating Nut	Bronze	ASTM B62	3
21	Nut	SS304		3
22	O-ring	NBR		6
23	Stem Nut	Bronze	ASTM B62	1
24	O-ring	NBR		3
25	O-ring	NBR		1
26	O-ring	NBR		2
27	Stem-B	SS304		1



Notes:

- 1) Design and materials are able to change without prior verbal or written notification.
- 2) Pressure rating: UL Listed 250 PSI; FM Approved 250 PSI.
- 3) Temperature rating: -10°C to 82°C.
- 4) Monitor Outlet, Storz, and other nozzles also available.
- 5) Coating: Interior and exterior e-coated to 6 mils min. dry film thickness, then fusion bonded epoxy coated (FBE).
- 6) Hydrant to be in accordance with AWWA C503.
- 7) Nozzle threads to be in accordance with NFPA 1963 for standard fire hose coupling screw thread. Hose nozzle threads: 2.5-7.5NH.
- 8) Flange to be in accordance with ANSI B16.1 class 125.

CONFIDENTIAL & PROPRIETARY INFORMATION		WEFLO®		NAME	DATE
THE DATA CONTAINED IN THIS DRAWING IS THE SOLE PROPERTY OF WEFLO VALVE LLC. ANY REPRODUCTION IN PART OR AS A WHOLE WITHOUT THE WRITTEN PERMISSION OF WEFLO VALVE LLC IS PROHIBITED.		TITLE: WEFLO Wet Barrel Fire Hydrant AWWA C503 8-hole Flange / 2HIP Storz		ENGINEER/DRAFTSMAN	BCM
UNLESS OTHERWISE SPECIFIED: DIMENSIONS ARE IN INCHES				1st CHECK	
MATERIAL				2nd CHECK	
WEIGHT				3rd CHECK	
FINISH		4th CHECK			
DO NOT SCALE DRAWING		APPROVED			
REVISION	DESCRIPTION	DATE	BY	DWG. NO.	
A	INITIAL ISSUE	5/14/18	BM	AF000013	
				REVISION	
				A	
				SCALE: NONE - UNLESS NOTED	
				SHEET 1 OF 1	