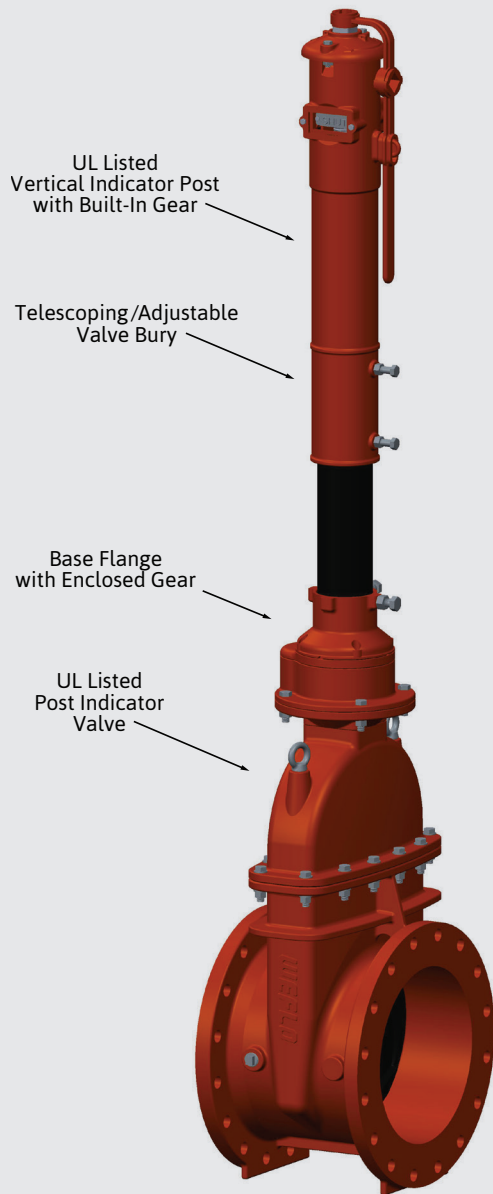


Large Diameter Post Indicator Valve/ Vertical Post Assembly With Built-In Gear Drive 14"–24" Sizes

FIG · F1211-200-250 FIG · F0601-IP

Illustration



Notes

(Patent Pending)

Gate Valve:

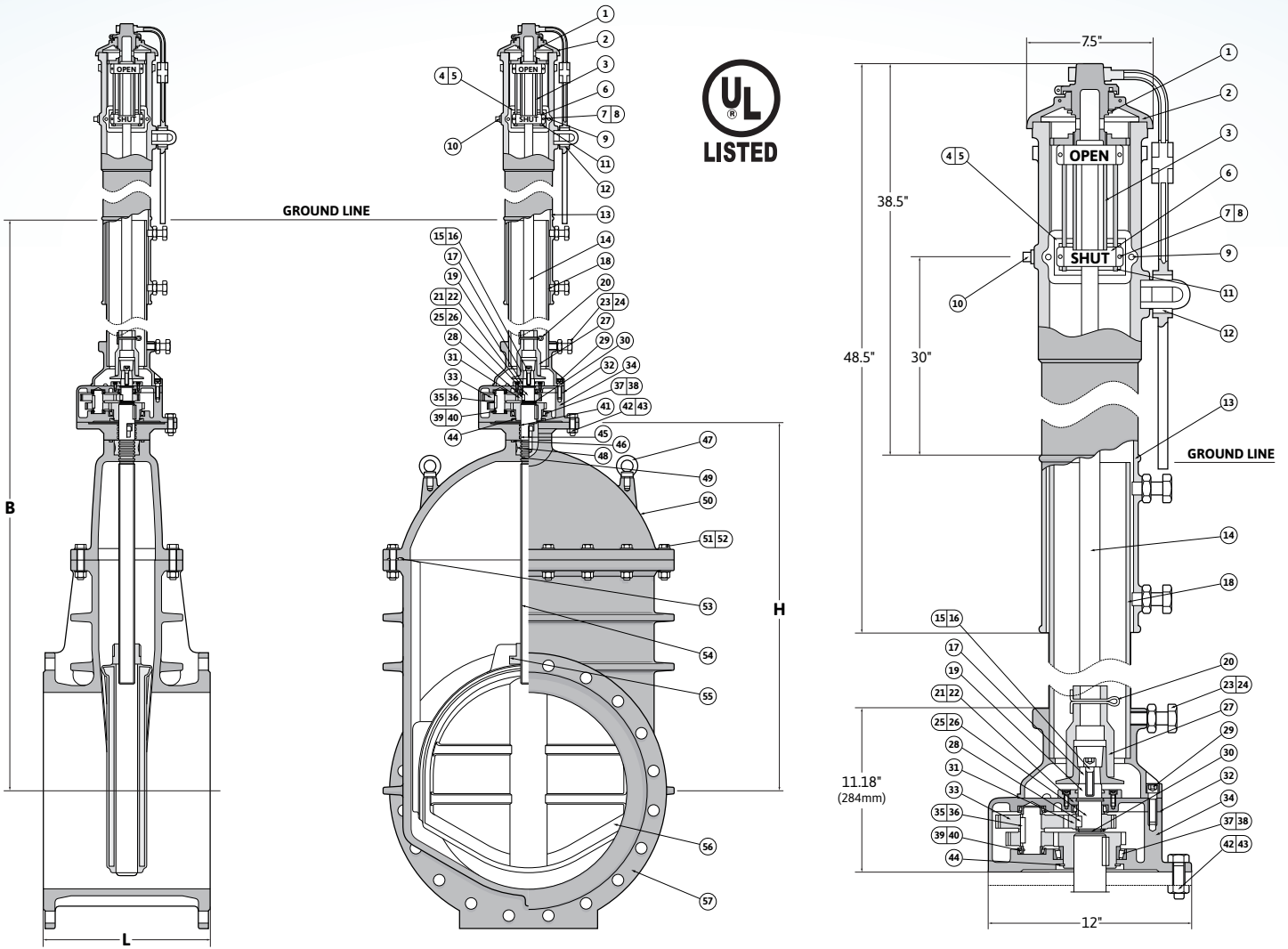
1. Resilient Seated Gate Valves are in accordance with ANSI/AWWA C515 Standard.
2. Body, bonnet, and wedge of the gate valve shall be of high strength ductile-iron, ASTM A536, Grade 65-45-12.
3. Valves Fusion Bonded Epoxy Coated Interior and Exterior, ANSI/AWWA C550. Certified to NSF-372 Standard.
4. Stuffing Box Gland shall have a minimum of three (3) O-rings capable of replacement under pressure while gate is in the full open position.
5. EPDM O-ring Seals shall be located between Stuffing Box Gland, Bonnet, and Body.
6. Operating Stem shall be 431 Stainless Steel with (3) Machined Grooves located just above the Lower Stem O-ring to accept and mate with a 2-piece Brass Split Ring. The design of the Stem and Split Ring will eliminate any upward or downward operating thrust on any Iron service.
7. Underwriters Laboratories Listed with a Pressure Rating of 250 psi for 14" – 16" – 18" sizes, and 200 psi for 20" – 24" sizes.

Vertical Indicator Post (Field Adjustment):

1. Remove the top section from the top of the Indicator Post assembly.
2. Cut the required stem length and adjust the Standpipe to match the groundline.
3. Set the "OPEN" and "SHUT" targets for the appropriate valve size.
4. Reattach the top section to the top of the Indicator Post assembly.
5. Design and material are subject to change without notice.

Enclosed Gear:

1. 2:1 gear ratio to reduce valve operating torque.
2. Enclosed and completely sealed to provide the ultimate in corrosion protection.



Item #	Description	Material/Specification	Item #	Description	Material/Specification	Item #	Description	Material/Specification
1	Snap Ring	AISI066	27	Crane Coupling	D.I.ASTM A536 65-45-12	53	Gasket	EPDM
2	Tor Section	C.I.ASTM A126 Class B	28	Key	Carbon Steel	54	Stem	Carbon Steel
3	Opening Nut	Bronze ASTM B62 C83600	29	Housing Cover	C.I.ASTM A126 Class B	55	Stem Nut	Bronze
4	Gasket	PTFE	30	Gasket	NBR	56	Wedge Disc	DI.ASTM A536.GR.65-45-12+EPDM
5	Window Glass	Lexan-Un Stabilized	31	Input Gear	ANSI 1045(#45)	57	Body	DI.ASTM A536.GR.65-45-12
6	Target	Brz. ASTM B62 C83600 OR St. Steel GR.304	32	Housing Cover Gasket	NBR			
7	Hex Capscrew	C.S.ASTM A307B	33	Gear	DI.ASTM A536.GR.65-45-12			
8	Hex Nut	C.S.ASTM A307B	34	Housing	C.I.ASTM A126 Class B			
9	Hex Capscrew	C.S.ASTM A307B	35	Key	Carbon Steel			
10	Plug	Malleable Iron	36	Gear	DI.ASTM A536.GR.65-45-12			
11	Target Carrier Nut	Brz. ASTM B62 C83600 OR St. Steel GR.304	37	Output Gear	ANSI 1045			
12	Locking Wrench	D.I.ASTM A536 65-45-12	38	Bearing	#32916			
13	Body	C.I.ASTM A126 Class B	39	Bearing	#32907			
14	Stem Square	AISI 1045	40	Gear Stem	SS304			
15	Screw	A2-70	41	Scrapseal	NBR			
16	Washer	C.S.Zinc Plated	42	Hex Capscrew	C.S.ASTM A307B			
17	Wrench Nut	DI.ASTM A536.GR.65-45-12	43	Hex Nut	C.S.ASTM A307B			
18	Standpipe	C.S.ASTM A53	44	Spring Cushion	AISI066			
19	Dust Sealing	NBR	45	O-Ring	NBR			
20	Cotter Pin	SS.AISI 304	46	O-Ring	NBR			
21	Gland	X20CR13	47	Eye Bolt	C.S.ASTM A307B			
22	Gland Gasket	Graphite	48	Clasp Ring	Bronze			
23	Hex Nut	C.S.ASTM A307B	49	O-Ring	NBR			
24	Hex Capscrew	C.S.ASTM A307B	50	Bonnet	DI.ASTM A536.GR.65-45-12			
25	Bearing	#32907	51	Screw	C.S.ASTM A307B			
26	Input Stem	X20CR13	52	Nut	C.S.ASTM A307B			

Nom	H		L	
	inch	mm	inch	mm
14"	27.36	695	15	381
16"	30.31	770	16	406.4
18"	34.45	875	17	431.8
20"	37.1	950	18	457.2
24"	43.9	1115	20	508

Nom	B (Bury Depth Range)			
	Min		Max	
	inch	mm	inch	mm
14"	49.02	1245	83.66	2125
16"	51.97	1320	86.61	2200
18"	56.1	1425	90.75	2305
20"	59.06	1500	93.7	2380
24"	65.5	1665	100.2	2545