

Dimensions			
Size	A	B	L
14"	15"	28.62"	48.38"-82.87"
16"	16"	31.30"	51.06"-85.55"
18"	17"	35.83"	55.59"-90.08"
20"	18"	38.78"	58.54"-93.03"
24"	20"	44.17"	63.93"-98.42"

Note:  
Dimension "L" is standard adjustment range of bury depth, please specify if additional depth is required.

14"-24" POST INDICATOR VALVE ASSEMBLY-GEARED POST

F1211-200&250-IP-01

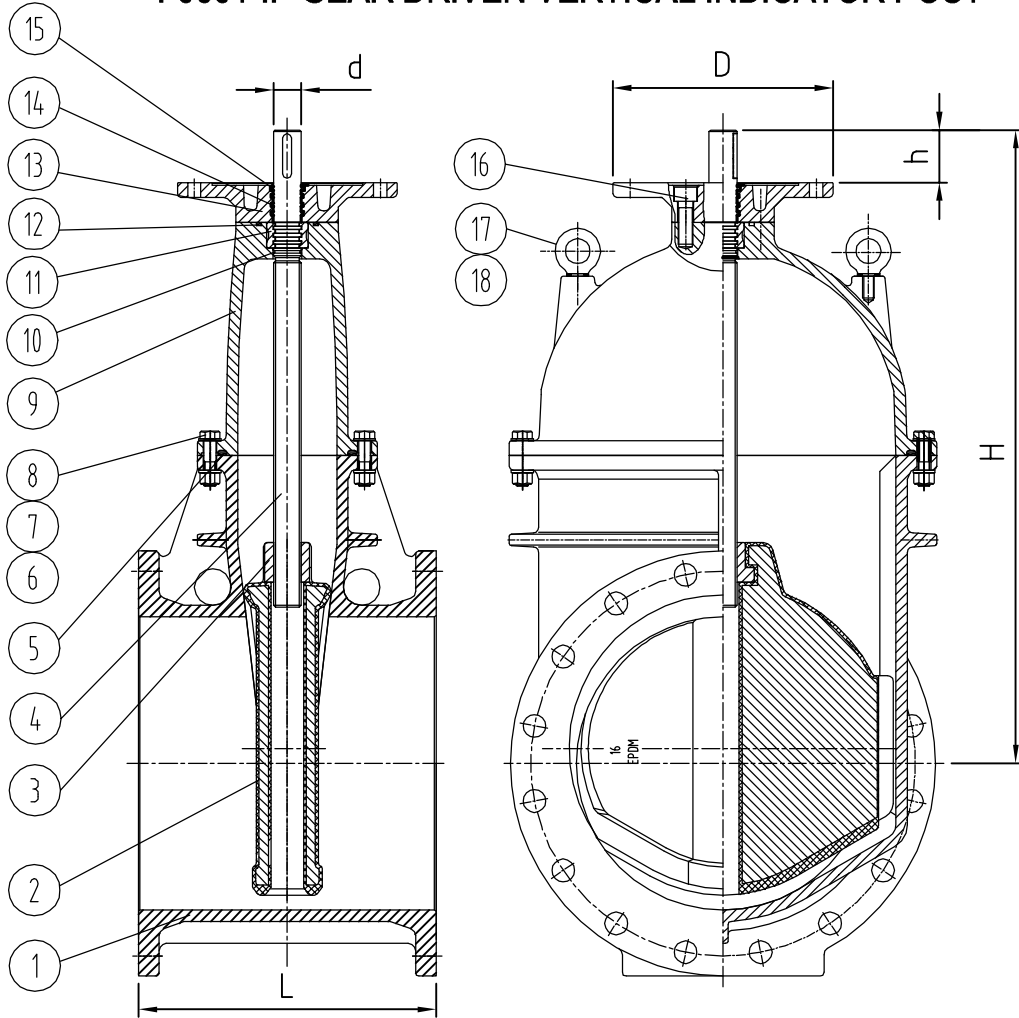


**WEFLO VALVE LLC**

E-mail: [info@weflovalve.com](mailto:info@weflovalve.com)

Website: [www.weflo.com](http://www.weflo.com) / [www.weflovalve.com](http://www.weflovalve.com)

## 14"-24" POST INDICATOR VALVES FOR USE WITH F0601-IP GEAR DRIVEN VERTICAL INDICATOR POST



Size	L	H	D	d	h
14"	15"	30.83"	12"	1.496"	2.205"
16"	16"	33.39"	12"	1.496"	2.205"
18"	17"	41.34"	12"	1.890"	1.890"
20"	18"	44.09"	12"	1.970"	1.970"
24"	20"	50.79"	12"	2.283"	2.283"

**Notes:**  
Pressure rating 250PSI for valves 14"-18",  
200PSI for valves 20"-24".



No.	Description	Material Specifications
1	Body	Ductile Iron, ASTM A536 65-45-12
2	Wedge	Ductile Iron, EPDM Encapsulated
3	Wedge Nut	Bronze, ASTM C95200
4	Stem	Stainless Steel, AISI 431
5	Gasket	EPDM
6	Bolts	Carbon Steel, ASTM A307B
7	Nuts	Carbon Steel, ASTM A307B
8	Washers	Carbon Steel, Zinc Plated
9	Bonnet	Ductile Iron, ASTM A536 65-45-12
10	O-Ring	EPDM
11	Thrust Collar	Bronze, ASTM C95200
12	O-Ring	EPDM
13	Post Flange	Ductile Iron, ASTM A536 65-45-12
14	O-Ring	EPDM
15	Dustproof Ring	NBR
16	Bolts	Carbon Steel, ASTM A307B
17	Eyebolts	Carbon Steel, ASTM A307B
18	Washers	Carbon Steel, Zinc Plated

**NRS GATE VALVES 14"-24", BARE SHAFT**

**F1211-200&250-IP-02**



**WEFLO VALVE LLC**

E-mail: [info@weflovalve.com](mailto:info@weflovalve.com)

Website: [www.weflo.com](http://www.weflo.com) / [www.weflovalve.com](http://www.weflovalve.com)