

NRS RESILIENT SEATED GATE VALVE FLANGED ENDS 300PSI FIG · F0211 – 300

Specifications

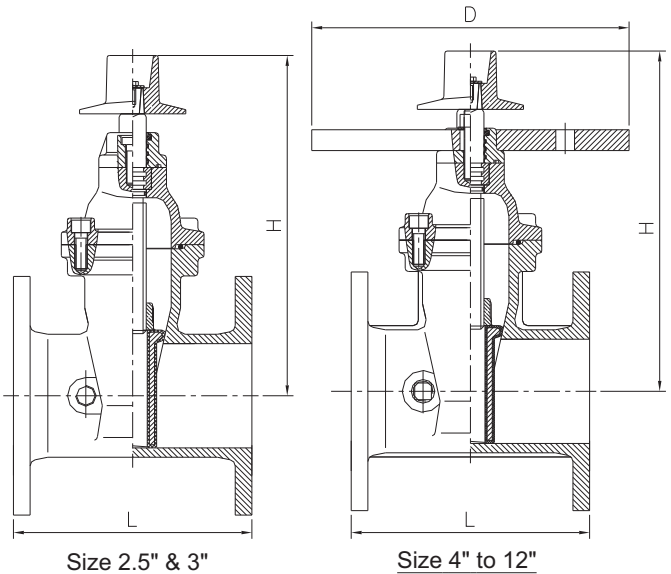
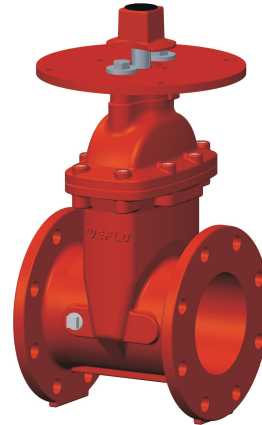
- Complies with AWWA C515 Standard
- Non-Rising Stem
- 4" to 12" Size provided with indicator post plate. Other sizes – plate provided only when specified at time or order
- Triple O-rings stem seal
- NPT plug on body
- Flanges to ANSI B16.1 Class125 (Other flange types available upon request)
- UL Listed and FM Approved
- Certified to NSF/ANSI 61 & 372
- Working pressure:
300PSI
200PSI and 250PSI available on request
- Working temperature:
42° F – 180° F
- Corrosion protection:
Fusion Bonded Epoxy Coated Interior and Exterior to AWWA C550 Standard
- Installation:
Valves installed in horizontal piping systems should have the stems oriented vertically
Valves installed in vertical piping systems should have the stems oriented horizontally

Note:
Design and material are subject to change without notice.

Material Specifications

Part Name	Material	ASTM Spec.
Body	Ductile Iron	A536 65-45-12
Wedge	Ductile Iron, EPDM Encapsulated	
Wedge Nut	Bronze	B62 C83600
Stem	Stainless Steel	AISI 304
Bonnet	Ductile Iron	A536 65-45-12
Gasket	Rubber	EPDM
Gland	Ductile Iron	A536 65-45-12
Thrust Collar	Bronze	B62 C83600
O-ring	Rubber	EPDM
Post Flange	Ductile Iron	A536 65-45-12
Operating Nut	Ductile Iron	A536 65-45-12
NPT Plug	Malleable Iron	Commercial
Post Flange Bolt	Stainless Steel	AISI 316
Bonnet Bolt	Stainless Steel	AISI 304

Schematic



Dimensions (mm/inch)

Size	2.5"		3"		4"		5"		6"		8"		10"		12"	
	mm	inch	mm	inch	mm	inch	mm	inch	mm	inch	mm	inch	mm	inch	mm	inch
L	190.5	7-1/2	203	8	229	9	254	10	267	10-1/2	292	11-1/2	330	13	356	14
H	270	10-5/8	296	11-5/8	350	13-3/4	410	16-1/8	455	17-15/16	545	21-7/16	645	25-3/8	730	28-3/4
D	--	--	--	--	305	12	305	12	305	12	305	12	305	12	305	12
Weight (LBS)	31		41		64		79		103		161		235		339	