

## Waterflow Detector Size 2"-8"

FIG-F6001

### Specifications

- Equipped with tamper resistant screws to prevent unauthorized entry.
- Two synchronized switches are enclosed in a durable terminal block. Terminals are easy to read and wire.
- Built-In mechanical time delay feature; minimizing the risk of false alarms due to pressure surges or air trapped in the system.
- Offers excellent performance during riser vibrations caused by large in-rushes of water.
- Designed and built for accuracy and repeatability.
- Flow sensitivity range: 4-10 GPM(15-38LPM).
- Contact rating: 8A@250VAC, 3A@24VDC, 2.5A@ 30VDC.
- UL/ULC Listed, FM Approved.
- COST Certified.

### Working Pressure

- 450 PSI

### Working Temperature

- 0-68°C

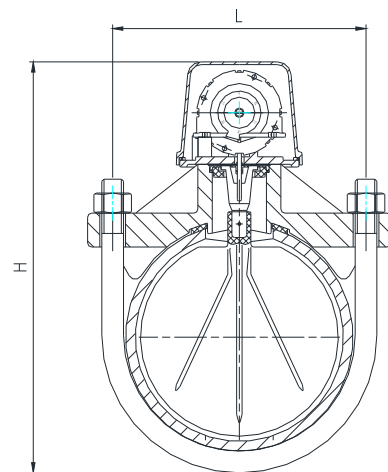
### Corrosion Protection

- Fusion Bonded Epoxy Coated Interior and Exterior or Enamel Spray Paint, Interior and Exterior.

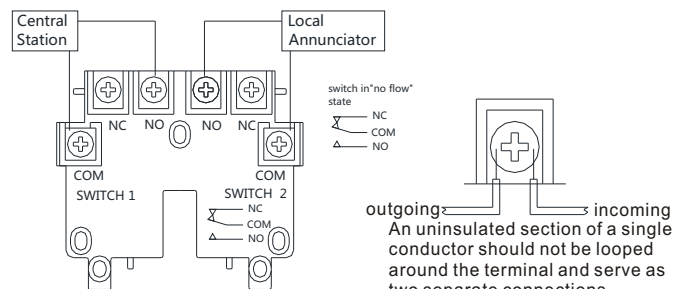
### Dimensions

Size	DN 65		DN 80	
	/mm	/inch	/mm	/inch
L	92	3.62	104	4.09
H	200	7.87	220	8.66
Nominal Pipe Size OD	73	2.87	88.9	3.50
Pipe Wall Thickness	3.05-5.16	0.12-0.20	3.05-5.49	0.12-0.22
Size	DN 100		DN 125	
	/mm	/inch	/mm	/inch
L	133	5.24	160	6.30
H	245	9.65	270	10.63
Nominal Pipe Size OD	114.3	4.50	141.3	5.56
Pipe Wall Thickness	3.05-6.02	0.12-0.24	3.40-6.55	0.13-0.26
Size	DN 150		DN 200	
	/mm	/inch	/mm	/inch
L	187	7.36	239	9.41
H	300	11.8	350	13.78
Nominal Pipe Size OD	168.3	6.63	219.1	8.63
Pipe Wall Thickness	3.40-7.11	0.13-0.28	3.76-8.18	0.15-0.32

### Schematic



### Typical Connections



The designs, materials and specifications shown are subject to change without notice due to the continuous development of our products.