

Vane-Type Waterflow Detector with NPT Threads Size 1"-2"

FIG F6001T

Specifications

- Equipped with tamper resistant screws to prevent unauthorized entry.
- Two synchronized switches are enclosed in a durable terminal block. Terminals are easy to read and wire.
- Built-In mechanical time delay feature; minimizing the risk of false alarms due to pressure surges or air trapped in the system.
- Offers excellent performance during riser vibrations caused by large in-rushes of water.
- Designed and built for accuracy and repeatability.
- Flow sensitivity range: 4-10 GPM(15-38LPM).
- Contact rating: 8A@250VAC, 3A@24VDC, 2.5A@ 30VDC.
- UL/ULC Listed.
- FM Approved.

Working Pressure

- 450 PSI

Working Temperature

- 0-68°C

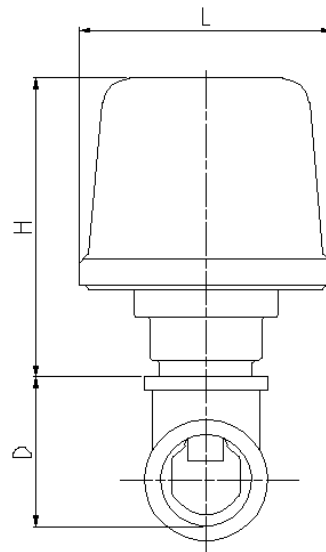
Corrosion Protection

- Fusion Bonded Epoxy Coated Interior and Exterior or Enamel Spray Paint, Interior and Exterior.

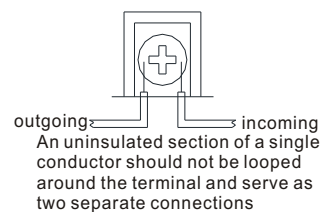
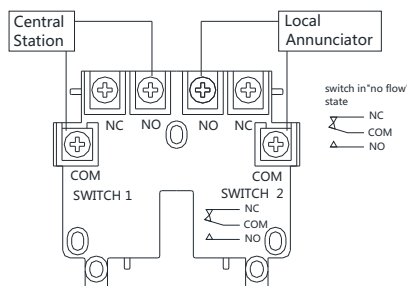
Dimensions

Size	1"		1 1/4"	
	/mm	/inch	/mm	/inch
L	93.2	3.67	93.2	3.67
H	110	4.33	110	4.33
D(Depth)	53.8	2.12	62.5	2.46
Size	1 1/2"		2"	
	/mm	/inch	/mm	/inch
L	93.2	3.67	93.2	3.67
H	110	4.33	110	4.33
D(Depth)	68.8	2.71	81.8	3.22

Schematic



Typical Connections



The designs, materials and specifications shown are subject to change without notice due to the continuous development of our products.