

NRS Resilient Seated Gate Valve MJ x MJ Ends, 300PSI FIG · F0233-300

Specifications

- Complies with AWWA C515 Standard.
- Non-Rising Stem.
- 4" to 12" Size provided with indicator post plate, Other sizes – plate provided only when specified at time or order.
- Triple O-rings stem seal.
- NPT plug on body.
- Mechanical joint ends to ANSI/AWWA C153/A21.53 Standard.
- UL/ULC Listed and FM Approved.
- Certified to NSF/ANSI 61 & 372.

Working Pressure

- 300PSI.
- 200PSI and 250PSI available on request.

Working Temperature

- -10°C to 120°C.

Corrosion Protection

- Fusion Bonded Epoxy Coated Interior and Exterior to AWWA C550 Standard.

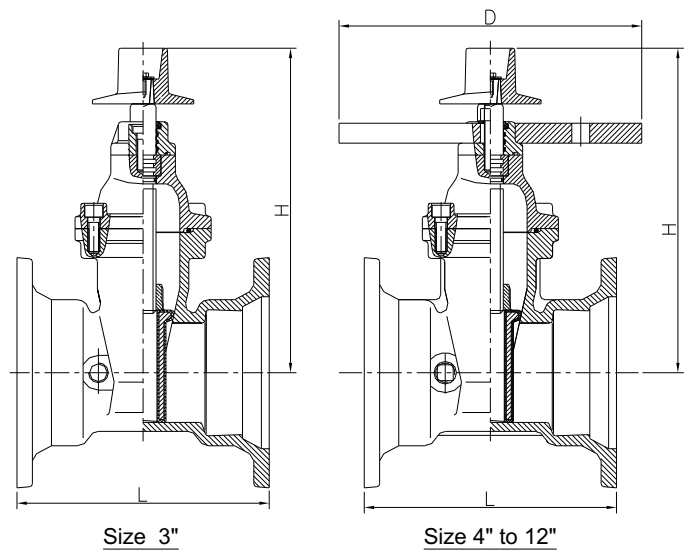
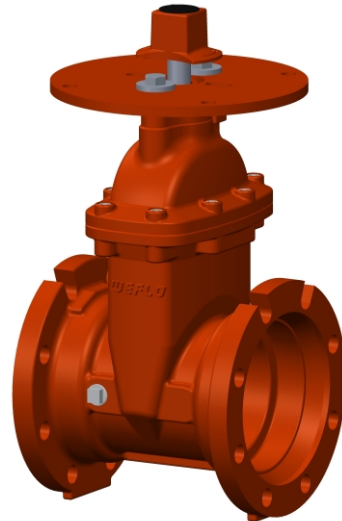
Notes:

- Design and material are subject to change without notice.

Material Specifications

Part Name	Material	ASTM Spec.
Body	Ductile Iron	A536 65-45-12
Wedge	Ductile Iron, EPDM Encapsulated	
Wedge Nut	Bronze	C95200
Stem	Stainless Steel	AISI 304
Bonnet	Ductile Iron	A536 65-45-12
Gasket	Rubber	EPDM
Packing	Graphite	Commercial
Gland	Ductile Iron	A536 65-45-12
Thrust Collar	Bronze	C95200
O-ring	Rubber	EPDM
Post Flange	Ductile Iron	A536 65-45-12
Operating Nut	Ductile Iron	A536 65-45-12
NPT Plug	Malleable Iron	Commercial
Post Flange Bolt	Stainless Steel	AISI 316
Bonnet Bolt	Carbon Steel	A307 B

Schematic



Dimensions (mm)

Size	3"		4"		6"		8"		10"		12"	
	mm	inch	mm	inch	mm	inch	mm	inch	mm	inch	mm	inch
L	241	9-1/2	254	10	292	11-1/2	318	12-1/2	375	14-3/4	378	14-7/8
H	296	11-5/8	350	13-3/4	455	17-15/16	545	21-7/16	645	25-3/8	730	28-3/4
D	--	--	305	12	305	12	305	12	305	12	305	12
Weight (kg)	20.4		32		52.5		80		118		175	