

## NRS Resilient Seated Gate Valve FL x MJ Ends, 300PSI FIG · F0213-300

### Specifications

- Complies with AWWA C515 Standard.
- Non-Rising Stem.
- 4" to 12" Size provided with indicator post plate, Other sizes – plate provided only when specified at time or order.
- Triple O-rings stem seal.
- NPT plug on body.
- Flanges to ANSI B16.1 Class125.  
(Other flange types available upon Request)
- Mechanical joint ends to ANSI/AWWA C153/A21.53 Standard.
- UL/ULC Listed and FM Approved.
- Certified to NSF/ANSI 61 & 372.

### Working Pressure

- 300PSI.
- 200PSI and 250PSI available on request.

### Working Temperature

- -10°C to 120°C.

### Corrosion Protection

- Fusion Bonded Epoxy Coated Interior and Exterior to AWWA C550 Standard.

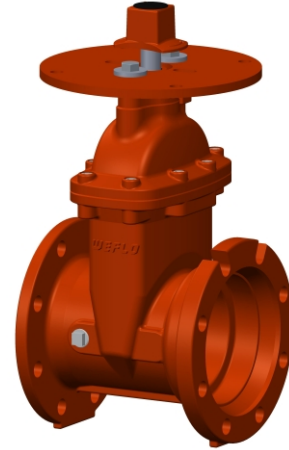
### Notes:

- Design and material are subject to change without notice.

### Material Specifications

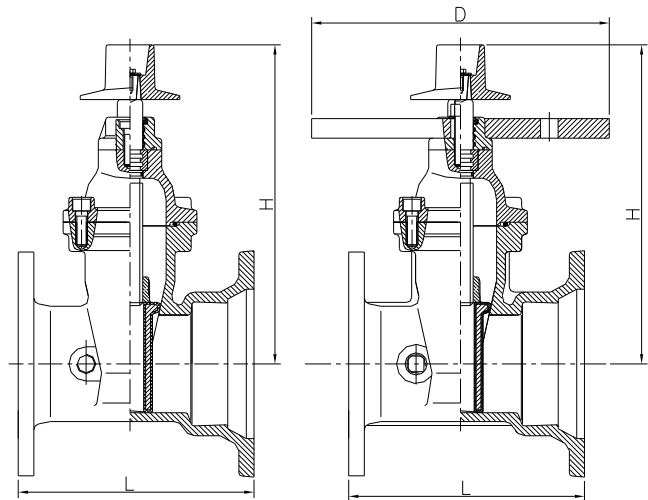
Part Name	Material	ASTM Spec.
Body	Ductile Iron	A536 65-45-12
Wedge	Ductile Iron, EPDM Encapsulated	
Wedge Nut	Bronze	C95200
Stem	Stainless Steel	AISI 304
Bonnet	Ductile Iron	A536 65-45-12
Gasket	Rubber	EPDM
Packing	Graphite	Commercial
Gland	Ductile Iron	A536 65-45-12
Thrust Collar	Bronze	C95200
O-ring	Rubber	EPDM
Post Flange	Ductile Iron	A536 65-45-12
Operating Nut	Ductile Iron	A536 65-45-12
NPT Plug	Malleable Iron	Commercial
Post Flange Bolt	Stainless Steel	AISI 316
Bonnet Bolt	Carbon Steel	A307 B

### Schematic



Size 3"

Size 4" to 12"



### Dimensions (mm)

Size	3"		4"		6"		8"		10"		12"	
	mm	inch	mm	inch	mm	inch	mm	inch	mm	inch	mm	inch
L	222	8-3/4	241.5	9-1/2	279.5	11	305	12	352.5	13-7/8	367	14-7/16
H	296	11-5/8	350	13-3/4	455	17-15/16	545	21-7/16	645	25-3/8	730	28-3/4
D	--	--	305	12	305	12	305	12	305	12	305	12
Weight (kg)	21.4		31		51.5		77.5		114		169.5	